

## Kiefer “Advantage™ I” Racing Lane

<i>Prod.#</i>	<i>Description</i>
210360	60 Foot - Racing Lane
210375	75 Foot - Racing Lane
210325	25 Meter - Racing Lane
210350	50 Meter - Racing Lane
210236	25 Meter / 75 Foot - Racing Lane
210352	50 Meter / 2 x 75 Foot - Racing Lane
210333C	Custom Length - Racing Lane
210333	Advantage™ I Individual Float



### Features:

- Discs measure 4.3” (11cm) in diameter by 2.75” long.
- Lanes come fully assembled.
- Perfect for multi-use pools such as YMCA’s, Senior Recreation, JCC’s, County Clubs & High School competitions.
- Used at the 1996 Olympic Games for the Official Water Polo Pool’s course markings.

Note: Specifications and pricing subject to change without notice. All dimensions are in inches unless indicated otherwise.

# Kiefer "Advantage™ I"

**Product Name: "Advantage™ I"**

**AKA Product #: 210333**

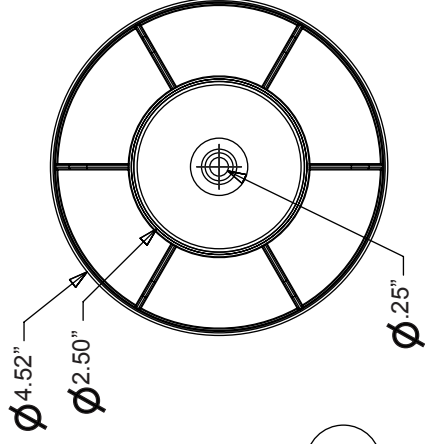
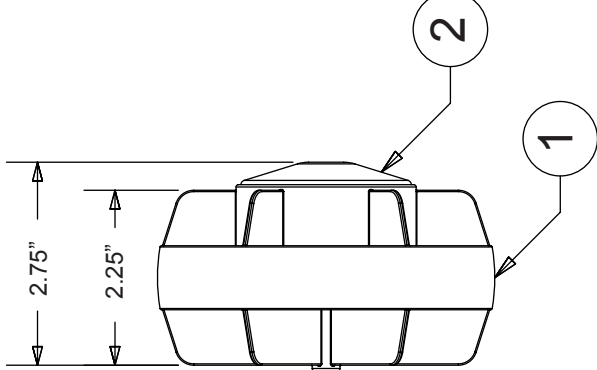
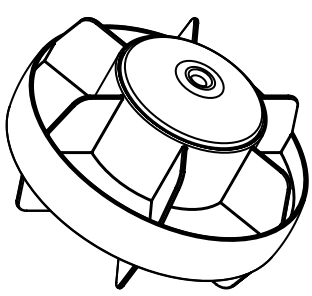
## Application:

Kiefer Advantage™ I Racing Lane disks measure 4.52" (11.5cm) in diameter by 2.75" long. The compact float size and large fin guard make the Advantage™ I perfect for multi-use pools such as YMCA's, Senior Recreation, JCC's, County Clubs & High School competitions. Used at the 1996 Olympic Games for the official Water Polo's course markings.

Available float colors : Red, Royal, Navy, Green, Yellow, Black, White, Maroon, Purple, Grey, Orange, & Light Blue.

## Specifications:

- ① Disk shall be made from injection-molded linear low-density polyethylene plastic.
- ② Float shall contain an individual flotation chamber guaranteeing proper buoyancy height for maximum wave suppression.



SPECIFICATION NUMBER:				<b>Product Specs. - Written &amp; Drawing</b>
PRODUCT DESCRIPTION:	<b>ADVANTAGE I RACING LANE</b>			
PRODUCT NUMBER:	<b>210333</b>	DATE:	07.17.07	REVISION: <b>A</b>
WRITTEN BY:	<b>DAG</b>	DATE:	08.08.07	PAGE No: <b>1 of 1</b>
APPROVED BY:	<b>JK</b>			



**Adolph Kiefer & Assoc.  
Commercial Products**  
1700 KIEFER DRIVE  
ZION, ILLINOIS 60099-4093  
800-323-4071 Fax: 847-872-0284  
[www.kiefer.com](http://www.kiefer.com)

THE INFORMATION CONTAINED IN THIS SPECIFICATION IS THE SOLE PROPERTY OF ADOLPH KIEFER & ASSOC. AND CANNOT BE REPRODUCED IN WHOLE OR PART, NOR DELIVERED TO OTHERS WITHOUT THE EXPRESS WRITTEN CONSENT OF ADOLPH KIEFER & ASSOC.