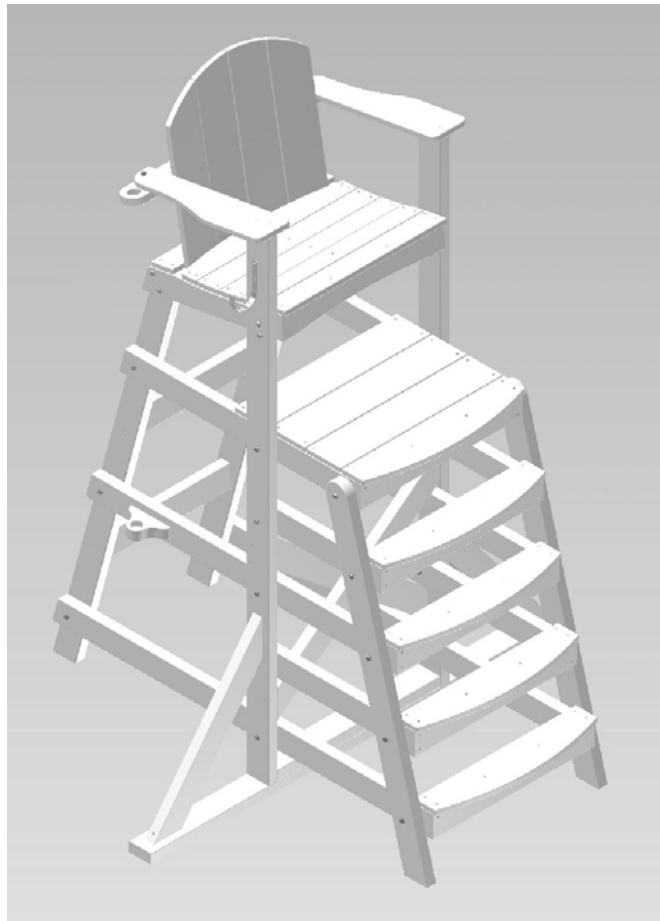


“Forever” Guard Tower Assembly Instructions

Model# 500230



Adolph Kiefer & Associates
1700 Kiefer Dr.
Zion, IL 60099-4093

(800) 451-3262
FAX (847) 872-0284

www.kieferpool.com

Important Note:

Please read these instructions completely before you begin. For best results two people should assemble this product. This product when fully assembled is heavy. Please do not attempt to lift more than you can handle. When using tools for this assembly be sure to wear the proper safety protection including safety glasses.

You will need the following tools before you proceed:

- Ratchet wrench with 1/2" socket and or a 1/2" box end wrench.
- Mallet or soft-faced hammer.
- Cordless or Electric drill.
- #2 Square Recess Bit. (Provided)
- 7/64" Drill Bit. (Provided)

Before you begin the assemblies unpack your guard chair to assure that you have received all parts listed below. Use the images on the following pages to familiarize yourself with the various components.

Components in Box #1 - (Fig #1)

Description	Qty.
Lower Frame Assembly "A" - (Fig.1)	1
Center Leg Assembly "B" - (Fig.1)	1
Back Frame Assembly "C" - (Fig. 1)	1
Seat Assembly "D" - (Fig.1)	1
Arms - (Fig.1)	2
Front Legs - (Fig.1)	2
Frame Supports - (Fig.1)	2

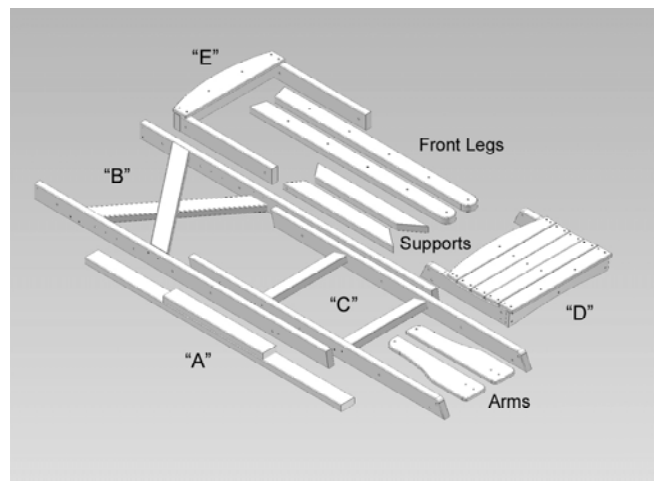


Fig. 1

Components in Box #2 - (Fig #2)

Description	Qty.
Step Assembly "F" - (Fig.2)	1
Step Assembly "G" - (Fig.2)	1
Step Assembly "H" - (Fig.2)	1
Step Assembly "I" - (Fig.2)	2
Seat Back Assembly "J" - (Fig.2)	2

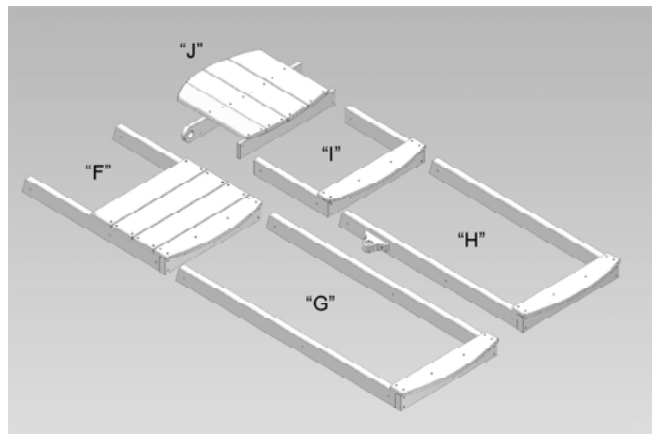


Fig. 2

Hardware

Description	Qty.
5/16-18 x 2 1/2" S.S. Hex Head Bolt	2
5/16-18 x 3 1/2" S.S. Hex Head Bolt	34
5/16" S.S. Nylock Hex Nut	36
5/16" S.S. Flat Washer	36
2 1/2" Sq. Dr. - Recessed Head Screws	18
1 1/2" Sq. Dr. - Recessed Head Screws	2
Ring Buoy Hook	1

Important Note:

In the steps below, Loose assemble means to finger tighten the Nylock Nuts.

Step 1) Holding it securely, drill Four (4) 7/64" pilot holes through the Center Leg Assembly ("B") into the Lower Frame Assembly ("A"). Attach the two together by using Four (4) 2 1/2" Square Drive Recessed Head Screws. **See Figure 3.**

Loose assemble the Step Assembly ("E") to the two Front Legs and to the Center Leg Assembly ("B") by using Four (4) 5/16-18 x 3 1/2" S.S. Hex Head Bolts, Four (4) 5/16" S.S. Flat Washers, and Four (4) 5/16" S.S. Nylock Hex Nuts. (Note: These are bolted through the second hole up from the bottom). **See Figure 3.**

Step 2) *Loose assemble* the Step Assemblies ("F", "G", "H" and "I") to the Back Frame Assembly ("C") and to the two Front Legs by using Twenty-two (22) 5/16-18 x 3 1/2" S.S. Hex Head Bolts, Twenty-two (22) 5/16" S.S. Flat Washers, and Twenty-two (22) 5/16" S.S. Nylock Hex Nuts. **See Figure 4.**

Step 3) *Loose assemble* the Seat Assembly ("D") to the two Center Leg Assembly ("B") and to the Back Frame Assembly ("C") by using Eight (8) 5/16-18 x 3 1/2" S.S. Hex Head Bolts, Eight (8) 5/16" S.S. Flat Washers, and Eight (8) 5/16" S.S. Nylock Hex Nuts. **See Figure 5.**

Holding it securely, drill Four (4) 7/64" pilot holes through the Seat Back Assembly ("J") into the Seat Assembly ("D"). Attach the two together by using Four (4) 2 1/2" Square Drive Recessed Head Screws.

See Figure 5.

Loose assemble the Arms to the Seat Back Assembly ("J") by using Two (2) 5/16-18 x 2 1/2" S.S. Hex Head Bolts, Two (2) 5/16" S.S. Flat Washers, and Two (2) 5/16" S.S. Nylock Hex Nuts. **See Figure 5.**

Step 4) Tighten **ALL** of the 5/16" S.S. Nylock Hex Nuts.

Holding it securely, drill Four (4) 7/64" pilot holes through the Arms into the Center Leg Assembly ("B"). Attach the two together by using Four (4) 2 1/2" Square Drive Recessed Head Screws. Attach the two diagonal Frame Supports to the Center Leg Assembly ("B") by using Six (6) 2 1/2" Square Drive Recessed Head Screws. Attach the Ring Buoy Hook to the Center Leg Assembly ("B") by using Two (2) 1 1/2" Square Drive Recessed Head Screws.

See Figure 6.

Step 5) Double check to make sure all of the fasteners are tight. The completed chair should look like the image on page 1.

Your chair is now complete and ready for many years of trouble free use.

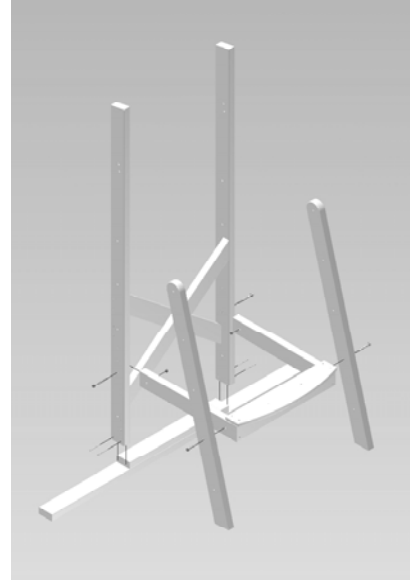


Fig. 3

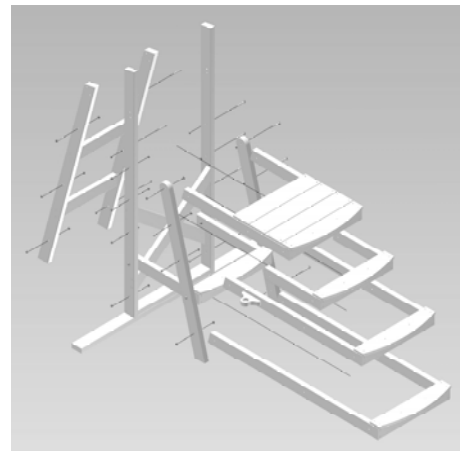


Fig. 4



Fig. 5



Fig. 6

SWIMMING POOL EQUIPMENT WARRANTY

Kiefer Manufactured Products

- A. Adolph Kiefer & Associates (AKA) warrants that the equipment, which is furnished on this project, shall perform without defect(s), due to materials or manufacturing for a period of one year from the date of purchase.
- B. Within the warranty period and at no cost to the owner, AKA shall repair or replace such equipment, which fails to perform due to defect(s) in materials, manufacturing or workmanship. Written notification and documentation of the particular defect(s) must be transmitted to AKA within ten days of when the equipment defect(s) or failure is noticed.
- C. Excluded from this warranty are any defect(s) due to damage caused by: improper handling, storage or installation; accidents; vandalism; improper usage; inadequate maintenance of the equipment; environmental conditions or natural disaster.
- D. In no event shall AKA be held liable for consequential, incidental, indirect or special damages which occur from the use or repair of the equipment. This includes damages to persons or property, and loss of use of the equipment or the pool facility.
- E. Neither the project contractor(s) nor the owner (or operator) of the pool facility shall have the right to offset charges or withhold monies for warranty claims against any payment(s) due to AKA.
- F. Warranty repairs shall take place either at the pool location, at AKA's place of business, or at another suitable location. The purchaser of the equipment shall be responsible for (and bear the cost of) the removal, re-installation and transportation of the equipment; if required. AKA shall be responsible for either the repair or replacement (at its discretion), and transportation of the equipment to the pool facility.
- G. This warranty is in lieu of all other warranties or guarantees, expressed or implied. Specifically excluded, but not by way of limitation, are the implied warranties of merchantability and fitness for a particular purpose. Also, this warranty does not include or apply to any swimming pool accessories and equipment manufactured or supplied by others.