



40 in. "Forever" Guard Chair Assembly Instructions

Model# 500231



Adolph Kiefer & Associates
1700 Kiefer Dr.
Zion, IL 60099-4093

(800) 451-3262
FAX (847) 872-0284

www.kieferpool.com

Important Note:

Please read these instructions completely before you begin. For best results two people should assemble this product. This product when fully assembled is heavy. Please do not attempt to lift more than you can handle. When using tools for this assembly be sure to wear the proper safety protection including safety glasses.

You will need the following tools before you proceed:

- Ratchet wrench with 1/2" socket and or a 1/2" box end wrench.
- Mallet or soft-faced hammer.
- Cordless or Electric drill.
- #2 Square Recess Bit. (Provided)
- 7/64" Drill Bit. (Provided)

Before you begin the assemblies unpack your guard chair to assure that you have received all parts listed below. Use the images on the following pages to familiarize yourself with the various components.

Main Components

<u>Description</u>	<u>Qty.</u>
Seat Assembly - (Fig.1)	1
Upper Step Assembly - (Fig. 2)	1
Lower Step Assembly - (Fig. 3)	1
Back Assembly - (Fig. 4)	1
Front Legs - (Fig.5)	2
Back Legs - (Fig.5)	2
Lower Frame Support - (Fig.5)	2
Arms - (Fig.6)	2

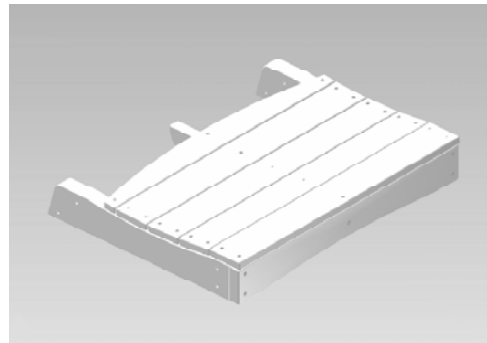


Fig. 1

Hardware

<u>Description</u>	<u>Qty.</u>
5/16-18 x 2 1/2" S.S. Hex Head Bolt	2
5/16-18 x 3 1/2" S.S. Hex Head Bolt	16
5/16" S.S. Nylock Hex Nut	18
5/16" S.S. Flat Washer	18
2 1/2" Square Drive - Recessed Head Screws	16
1 1/2" Square Drive - Recessed Head Screws	2
Ring Buoy Hook	1

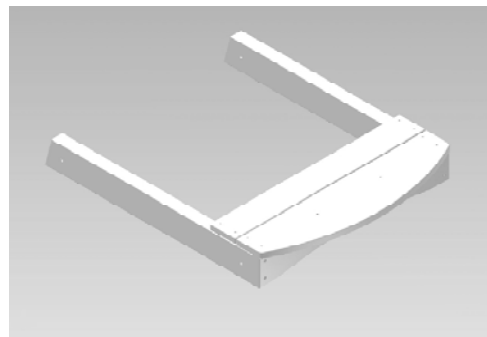


Fig. 2

Important Note:

In the steps below, Loose assemble means to finger tighten the Nylock Hex Nuts.

Step 1) Loose assemble the Seat Assembly to the two Front Legs and the two Back Legs by using Eight (8) 5/16-18 x 3 1/2" S.S. Hex Head Bolts, Eight (8) 5/16" S.S. Flat Washers, and Eight (8) 5/16" S.S. Nylock Hex Nuts. **See Figure 7.**

Step 2) Loose assemble the Upper and Lower Step Assemblies to the two Front Legs and the two Back Legs by using Eight (8) 5/16-18 x 3 1/2" S.S. Hex Head Bolts, Eight (8) 5/16" S.S. Flat Washers, and Eight (8) 5/16" S.S. Nylock Hex Nuts.

See Figure 8.

Step 3) Lower the Back Assembly onto the completed lower assembly. Push the back tight up against the seat boards. Holding it securely, drill four 7/64" pilot holes through the back stretcher into the seat support pieces, (make sure the ends of the back support piece are flush with the sides of the seat supports). Attach the seat assembly to the lower assembly by using Four (4) 2 1/2" Square Drive - Recessed Head Screws.

See Figure 9.

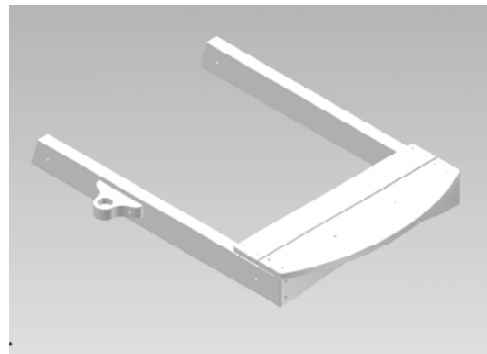


Fig. 3

Step 4) Position the Lower Frame Support pieces flush with the side pieces at both the top and outside edges. Holding it securely, drill four 7/64" pilot holes through the lower frame support into the side support pieces. Attach the lower frame supports to the lower assembly by using Eight (8) 2 1/2" Square Drive - Recessed Head Screws. **See Figure 9.**

Step 5) Attach the Arms to the Front Legs by positioning them 1 inch in from the front edge and 1 1/2 inch in from the inside edge of the front leg. Holding them securely, drill two 7/64" pilot holes through the arm into the side tops of the front legs. Attach the arms to the front legs by using Four (4) 2 1/2" Square Drive Recessed Head Screws. **See Figure 10.**

Step 6) *Loose assemble* the two arms to the Back Assembly by using Two (2) 5/16-18 x 2 1/2" S.S. Hex Head Bolts, Two (2) 5/16" S.S. Flat Washers, and Two (2) 5/16" S.S. Nylock Hex Nuts. **See Figure 10.**

Step 8) Mount the Umbrella Hook to the Right Front Leg using Two (2) 1 1/2" Square Drive - Recessed Head Screws.

Step 9) Double check to make sure all of the fasteners are tight. The completed chair should look like the image on page 1.

Your chair is now complete and ready for many years of trouble free use.

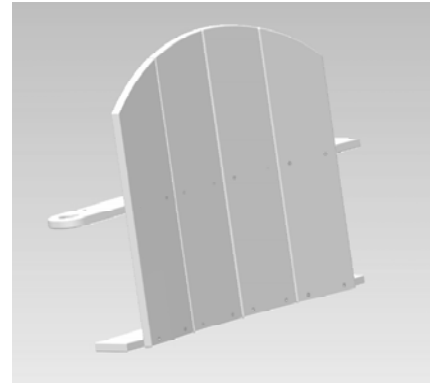


Fig. 4



Fig. 5

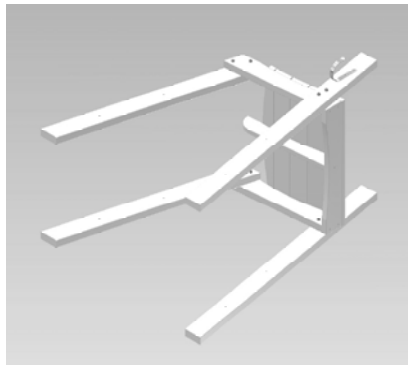


Fig. 7



Fig. 6



Fig. 8

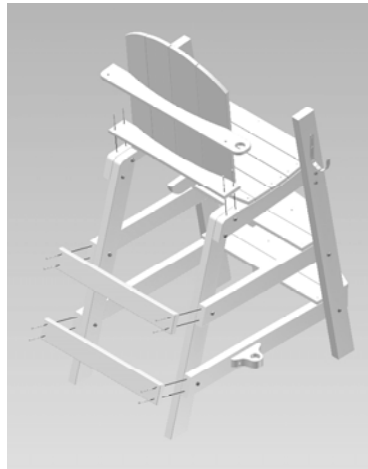


Fig. 9

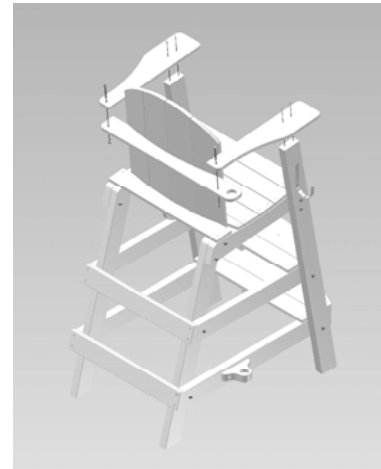


Fig. 10

SWIMMING POOL EQUIPMENT WARRANTY

Kiefer Manufactured Products

- A. Adolph Kiefer & Associates (AKA) warrants that the equipment, which is furnished on this project, shall perform without defect(s), due to materials or manufacturing for a period of one year from the date of purchase.
- B. Within the warranty period and at no cost to the owner, AKA shall repair or replace such equipment, which fails to perform due to defect(s) in materials, manufacturing or workmanship. Written notification and documentation of the particular defect(s) must be transmitted to AKA within ten days of when the equipment defect(s) or failure is noticed.
- C. Excluded from this warranty are any defect(s) due to damage caused by: improper handling, storage or installation; accidents; vandalism; improper usage; inadequate maintenance of the equipment; environmental conditions or natural disaster.
- D. In no event shall AKA be held liable for consequential, incidental, indirect or special damages which occur from the use or repair of the equipment. This includes damages to persons or property, and loss of use of the equipment or the pool facility.
- E. Neither the project contractor(s) nor the owner (or operator) of the pool facility shall have the right to offset charges or withhold monies for warranty claims against any payment(s) due to AKA.
- F. Warranty repairs shall take place either at the pool location, at AKA's place of business, or at another suitable location. The purchaser of the equipment shall be responsible for (and bear the cost of) the removal, re-installation and transportation of the equipment; if required. AKA shall be responsible for either the repair or replacement (at its discretion), and transportation of the equipment to the pool facility.
- G. This warranty is in lieu of all other warranties or guarantees, expressed or implied. Specifically excluded, but not by way of limitation, are the implied warranties of merchantability and fitness for a particular purpose. Also, this warranty does not include or apply to any swimming pool accessories and equipment manufactured or supplied by others.