



“Portable” Guard Chair Assembly Instructions

Model# 500246



Adolph Kiefer & Associates
1700 Kiefer Dr.
Zion, IL 60099-4093

(800) 451-3262
FAX (847) 872-0284

www.kieferpool.com

Important Note:

Please read these instructions completely before you begin. For best results two people should assemble this product. This product when fully assembled is heavy. Please do not attempt to lift more than you can handle. When using tools for this assembly be sure to wear the proper safety protection including safety glasses.

Before you begin the assemblies unpack your guard chair to assure that you have received all parts listed below. Use the images on the following pages to familiarize yourself with the various components.

You will need the following tools before you proceed:

- Ratchet wrench with 7/16" & 9/16" sockets.
- 7/16" & 9/16" box wrench.
- Phillips Head screwdriver.
- Mallet or soft-faced hammer.
- Tapered alignment tool. (Optional)
- Torque wrench. (Optional)

Main Components

Description	Qty.
Fiberglass Seat - (Fig.1)	1
Front Support Rail - (Fig.1)	2
Rear Support Rail - (Fig.1)	2
Seat Brace - (Fig.1)	2
Side Support Brace - (Fig. 1)	2
Reinforced Plastic Step - (Fig. 2)	5
Rubber Rail Bumpers - (Fig. 3)	4
5" Diameter Wheel - (Fig. 4)	2

Hardware

Description	Qty.
S.S. Split Tee Set - (Fig. 5)	12
3/8-16 x 2 3/4" S.S. Carriage Bolt - (Fig. 5)	24
3/8" S.S. Nylock Nut - (Fig. 5)	26
1/4-20 x 2 1/4" S.S. Round Head Bolt	4
5/16-18 x 2 1/2" S.S. Moonhead Step Bolt	10
5/16-18 S.S. Hex Head Nut	10
5/16" S.S. Lock Washer	10
3/8-16 x 4" S.S. PH Mach. Screw	2
3/8" S.S. Flat Washer	6

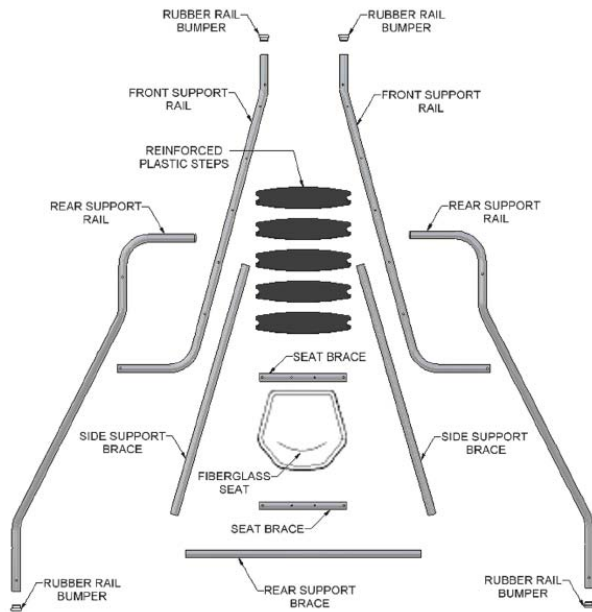


Fig. 1



Fig. 2

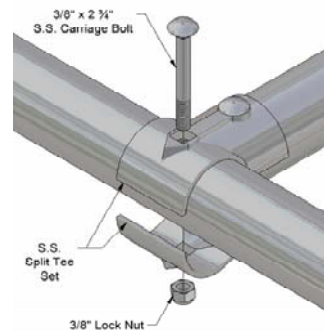


Fig. 5



Fig. 3



Fig. 4

Important Note:

In the steps below, **'With a split tee'** refers to joining two segments of pipe together using two halves of a split tee, two (2) 3/8" by 2 3/4" carriage bolts, and two (2) 3/8" Nylock nuts (**See Figure 5**). Always attach split tees so that the heads of the bolts face to the outside or top of the guard chair and the nuts are oriented to the inside of the unit. This will present a cleaner appearance while minimizing surfaces prone to snagging clothes, etc.

For steps **1** through **9**, do not tighten any bolts more than a couple of threads. At step **13**, tighten all bolts securely with a torque wrench so that the nuts are between 15-20 ft/lbs. of torque. If a torque wrench is unavailable, tighten the nuts until you see the thread penetrate the nylon ring on the Nylock nut. Loose assemble means to finger tighten the Nylock nut only.

Step 1) Connect a front support rail to one end of the black plastic step using a Moonhead step bolt, 5/16" lock washer, and 5/16" hex head nut. Repeat this procedure on the other end of the step, securing it to the other front support rail. Loose assemble. **See Figure 6.**

Step 2) Repeat this procedure for the four remaining plastic steps, making sure that each step is aligned with the proper holes on the front support rails. Loose assemble. **See Figure 7.**

Step 3) Insert a rubber rail bumper into the bottom of each front support rail. Tap these in place with a mallet or soft-faced hammer. **See Figure 7.**

Step 4) Connect one of the seat support rails to the two front support rails with two split tees at the joints, *labeled 1*. Repeat this procedure for the other seat support rail, *labeled 1*. Loose assemble. **See Figure 8.**

Step 5) With a split tee, attach one rear support rail to the front support rail at the joint, *labeled 2*. Loose assemble. **See Figure 9.** (The bottom portion of this rail should splay outward from the seat support rails. *See Figure 11* for clarification).

Step 6) While one person holds the unit in an upright position, attach the other rear support rail to the other front support rail with a split tee at the joint *labeled 2*. The chair should now be free standing. Loose assemble. **See Figure 9.**

Step 7) Connect the rear support brace to the two rear support rails using two split tees at the joints *labeled 3*. Loose assemble. **See Figure 10.**

Step 8) Connect a side support brace to the front and rear legs on one side of the guard chair with two split tees at the joints *labeled 4*. Loose assemble. **See Figure 11.**

Step 9) Repeat this procedure for the other side support brace on the opposite side of the guard chair. Loose assemble. **See Figure 11.**

Step 10) Insert a rubber rail bumper into the bottom of each front support rail. Tap these in place with a mallet or soft-faced hammer. **See Figure 11.**

Step 11) Place the seat on the two seat supports and securely fasten using four 1/4" X 2 1/4" S.S. Round Head Bolts. **See Figure 12.**

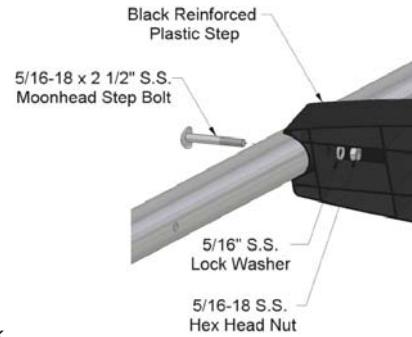


Fig. 6

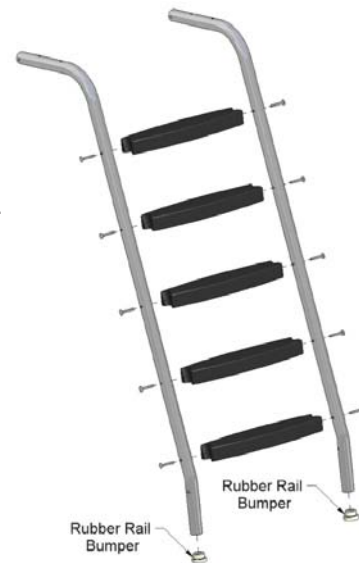


Fig. 7



Fig. 8

Step 12) Secure the wheels to the back of the guard chair by using One (1) 3/8-16 x 4" S.S. Round Head Machine Screw, Three (3) 3/8" S.S. Flat Washers, and One (1) 3/8" Nylock Nut for each wheel as shown in **Figure 13**. (Note: a flat washer should be located on each side of the tube and wheel to reduce rubbing and friction. The wheels should be secured on the inside of the guard chair).

Step 13) Using a torque wrench, tighten all 3/8" lock nuts on the loose assembled split tees until the nuts are between 15-20 ft/lbs. of torque. If a torque wrench is unavailable, tighten the nuts until you see the thread penetrate the nylon ring on the Nylock nut.

Assembly is now complete. Keep these instructions for future use. If you have an outdoor facility, you may follow these instructions in reverse to break down your Kiefer "Portable" Guard Chair into smaller components for storage during the off-season.

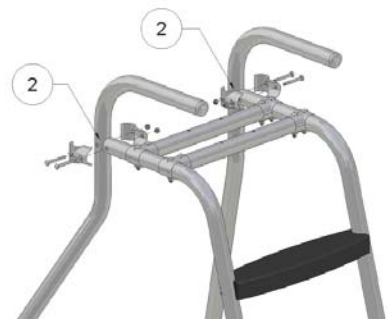


Fig. 9

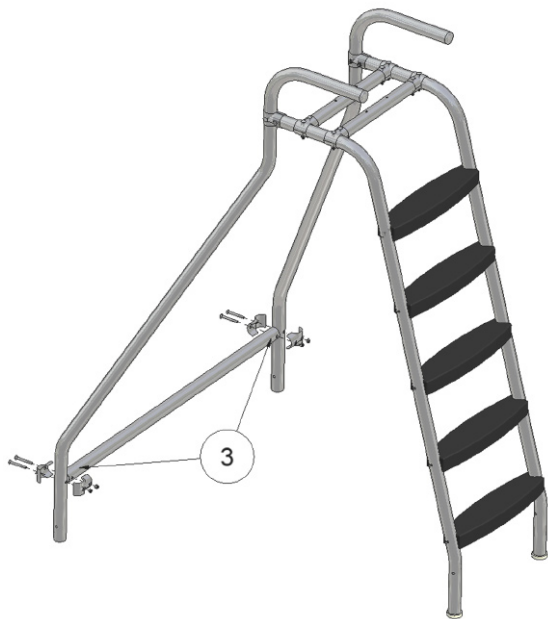


Fig. 10

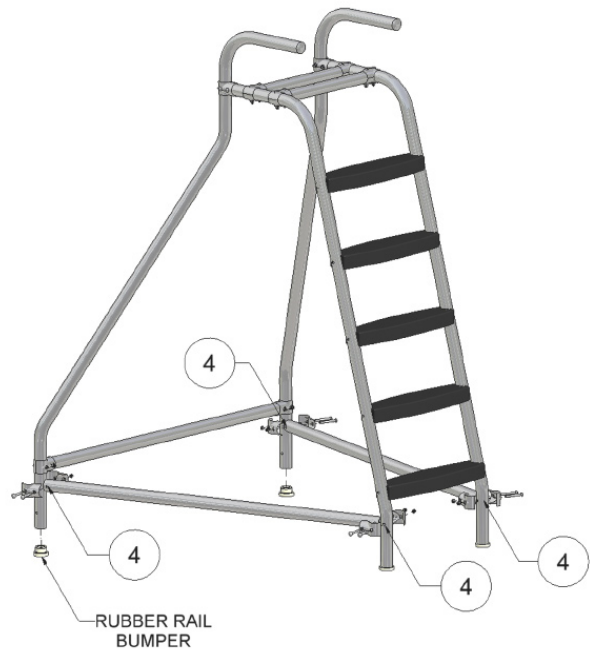


Fig. 11



Fig. 12

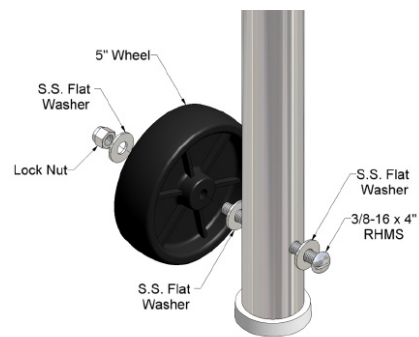


Fig. 13

SWIMMING POOL EQUIPMENT WARRANTY

Kiefer Manufactured Products

- A. Adolph Kiefer & Associates (AKA) warrants that the equipment, which is furnished on this project, shall perform without defect(s), due to materials or manufacturing for a period of one year from the date of purchase.
- B. Within the warranty period and at no cost to the owner, AKA shall repair or replace such equipment, which fails to perform due to defect(s) in materials, manufacturing or workmanship. Written notification and documentation of the particular defect(s) must be transmitted to AKA within ten days of when the equipment defect(s) or failure is noticed.
- C. Excluded from this warranty are any defect(s) due to damage caused by: improper handling, storage or installation; accidents; vandalism; improper usage; inadequate maintenance of the equipment; environmental conditions or natural disaster.
- D. In no event shall AKA be held liable for consequential, incidental, indirect or special damages which occur from the use or repair of the equipment. This includes damages to persons or property, and loss of use of the equipment or the pool facility.
- E. Neither the project contractor(s) nor the owner (or operator) of the pool facility shall have the right to offset charges or withhold monies for warranty claims against any payment(s) due to AKA.
- F. Warranty repairs shall take place either at the pool location, at AKA's place of business, or at another suitable location. The purchaser of the equipment shall be responsible for (and bear the cost of) the removal, re-installation and transportation of the equipment; if required. AKA shall be responsible for either the repair or replacement (at its discretion), and transportation of the equipment to the pool facility.
- G. This warranty is in lieu of all other warranties or guarantees, expressed or implied. Specifically excluded, but not by way of limitation, are the implied warranties of merchantability and fitness for a particular purpose. Also, this warranty does not include or apply to any swimming pool accessories and equipment manufactured or supplied by others.