

Kiefer “Portable” Guard Chair

Product # 500246



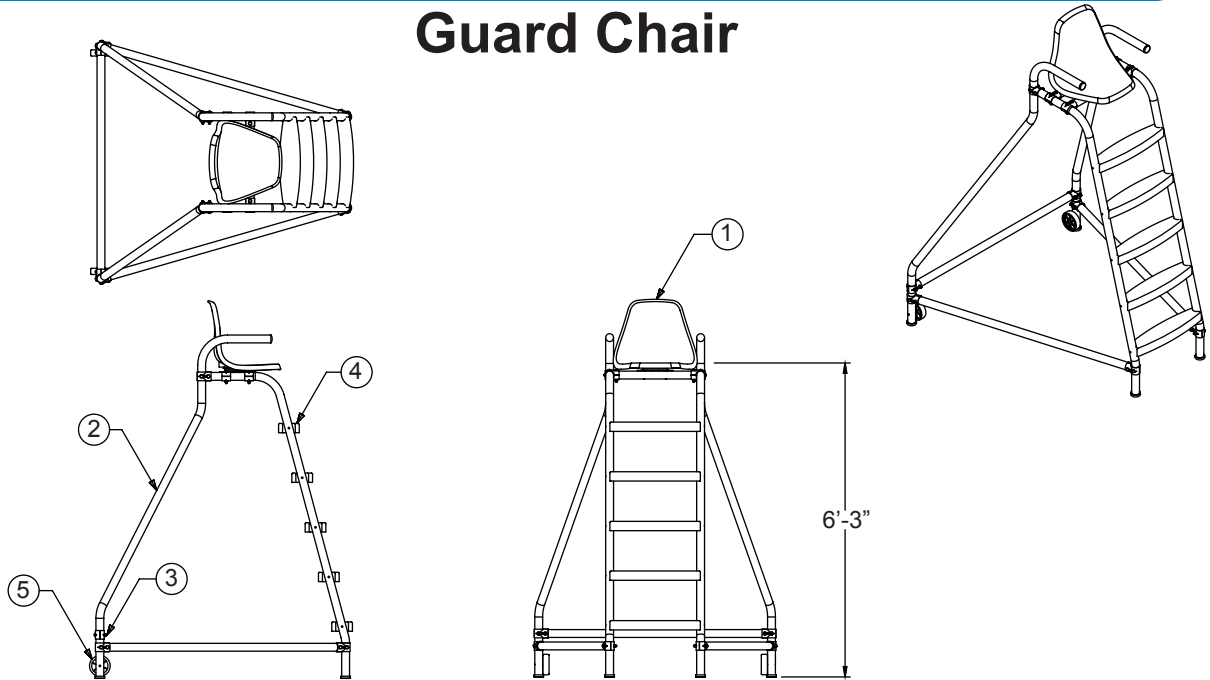
Features:

- Seat height 72”.
- Portable, easily moved by one person.
- Ships unassembled.

Note: Specifications and pricing subject to change without notice. All dimensions are in inches unless indicated otherwise.

Kiefer "Portable"

Guard Chair



SPECIFICATION NUMBER:	13.152.01.04	Product Specifications - Drawing	
PRODUCT DESCRIPTION:	PORTABLE GUARD CHAIR		
PRODUCT NUMBER:	500246		
WRITTEN BY:	DAG	DATE: 07.17.07	REVISION: A
APPROVED BY:	JK	DATE: 08.08.07	PAGE No: 1 of 2

**Product Name: Kiefer "Portable"
Guard Chair**

AKA Product #: 500246

Application:

The Kiefer "Portable" Guard Chair is sturdy and reliable, can be quickly and easily moved by one person to clear the deck for meets and is virtually maintenance free. Traditional and economical, attractive and durable, the Kiefer "Portable" is popular for its versatility. See all the action from it's 75" seat height.

Weight: 106 lbs.

Specifications:

- ① The Portable Guard Chair shall provide a molded fiberglass seat 6'-3" above the pool deck.
- ② The frame shall be constructed from 1.90" O.D. x .065 Wall Type 304L stainless steel pipe, electro-polished.
- ③ All hardware and fasteners shall be 300 series stainless steel.
- ④ The steps shall be injection molded Cycolac with a non-skid surface molded in.
- ⑤ Wheels shall be 5" in diameter and able to rotate freely.

SPECIFICATION NUMBER:	13.152.01.04	Product Specifications - Written	
PRODUCT DESCRIPTION:	PORTABLE GUARD CHAIR		
PRODUCT NUMBER:	500246		
WRITTEN BY:	DAG	DATE: 07.17.07	REVISION: A
APPROVED BY:	JK	DATE: 08.08.07	PAGE No: 2 of 2

THE INFORMATION CONTAINED IN THIS SPECIFICATION IS THE SOLE PROPERTY OF ADOLPH KIEFER & ASSOC. AND CANNOT BE REPRODUCED IN WHOLE OR PART, NOR DELIVERED TO OTHERS WITHOUT THE EXPRESS WRITTEN CONSENT OF ADOLPH KIEFER & ASSOC.



**Adolph Kiefer & Assoc.
Commercial Products**
1700 KIEFER DRIVE
ZION, ILLINOIS 60099-4093
800-323-4071 Fax: 847-872-0284
www.kiefer.com