



Kiefer "Scout" Guard Chair

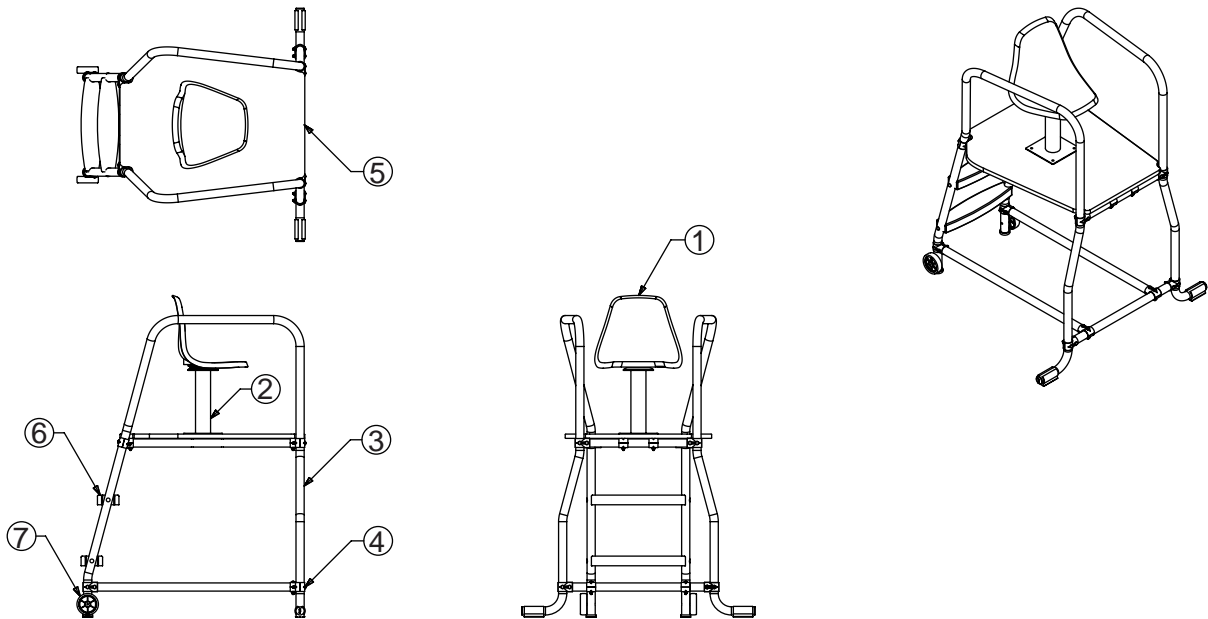
Prod. #: 500251

Features:

- 5 ft. seat height.
- Rear-mount, portable design, electro-polished 1.90" O.D. 316L stainless steel.
- Meets YMCA specifications for a 5 ft. guard chair and is recommended by leading lifeguard consultants.
- Seat rotates 360°, heavy-duty 5" wheels are designed to engage only when chair is tipped and moved.

Note: Specifications and pricing subject to change without notice. All dimensions are in inches unless indicated otherwise.

Kiefer "Scout" 5 ft. Guard Chair



SPECIFICATION NUMBER: 13.152.01.04	Product Specifications - Drawing
PRODUCT DESCRIPTION: SCOUT - 5 ft. GUARD CHAIR	<small>THE INFORMATION CONTAINED IN THIS SPECIFICATION IS THE SOLE PROPERTY OF ADOLPH KIEFER & ASSOC. AND CANNOT BE REPRODUCED IN WHOLE OR PART, NOR DELIVERED TO OTHERS WITHOUT THE EXPRESS WRITTEN CONSENT OF ADOLPH KIEFER & ASSOC.</small>
PRODUCT NUMBER: 500251	
WRITTEN BY: DAG DATE: 07.17.07 REVISION: A	
APPROVED BY: JK DATE: 08.08.07 PAGE No: 1 of 2	

Adolph Kiefer & Assoc.
Commercial Products
1700 KIEFER DRIVE
ZION, ILLINOIS 60099-4093
800-451-3262 Fax: 847-872-0284
www.kieferpool.com

5 ft. SCOUT GUARD CHAIR

Product Name: Kiefer 5 ft. "Scout" Guard Chair

AKA Product #: 500251

Application:

The Kiefer Scout Guard Chair has been redesigned to meet the demanding needs of your facility. While it may appear similar to some of our competitor's models, our latest innovation improves on older designs by providing the ability to mount the chair from the rear. This enables your lifeguards to always keep their eyes forward, scanning your pool and patrons for potential danger. Recommended by leading lifeguard consultants, the 5 ft. frame base measures 54-1/4" x 49-1/2". To maximize stability the wheels are only engaged when you wish to move it. Simply tip it back away from the pool to clear the deck for meets. All Kiefer Scout Guard Chairs are constructed of superior materials. Tubular members are Type 316L stainless steel, electro-polished for durability, corrosion resistance and a lasting clean appearance.

Weight: 106 lbs.

Specifications:

- ① The Scout Guard Chair shall provide a molded fiberglass seat 5'-0" above the pool deck.
- ② The seat shall be mounted on an electro-polished stainless steel support pedestal that shall be capable of a full 360 degree rotation.
- ③ The frame shall be constructed from 1.90" O.D. x .065 Wall Type 316L stainless steel pipe, electro-polished.
- ④ All hardware and fasteners shall be 300 series stainless steel.
- ⑤ The platform shall be 1" thick King Starboard - AS or equivalent with a molded in non-skid surface.
- ⑥ The steps shall be injection molded Cicolac with a non-skid surface molded in.
- ⑦ Wheels shall be 5" in diameter and able to rotate freely.

SPECIFICATION NUMBER: 13.152.01.04	Product Specifications - Written
PRODUCT DESCRIPTION: SCOUT - 5 ft. GUARD CHAIR	<small>THE INFORMATION CONTAINED IN THIS SPECIFICATION IS THE SOLE PROPERTY OF ADOLPH KIEFER & ASSOC. AND CANNOT BE REPRODUCED IN WHOLE OR PART, NOR DELIVERED TO OTHERS WITHOUT THE EXPRESS WRITTEN CONSENT OF ADOLPH KIEFER & ASSOC.</small>
PRODUCT NUMBER: 500251	
WRITTEN BY: DAG DATE: 07.17.07 REVISION: A	
APPROVED BY: JK DATE: 08.08.07 PAGE No: 2 of 2	

Adolph Kiefer & Assoc.
Commercial Products
1700 KIEFER DRIVE
ZION, ILLINOIS 60099-4093
800-451-3262 Fax: 847-872-0284
www.kieferpool.com