



## **Kiefer "Scout" Guard Chair**

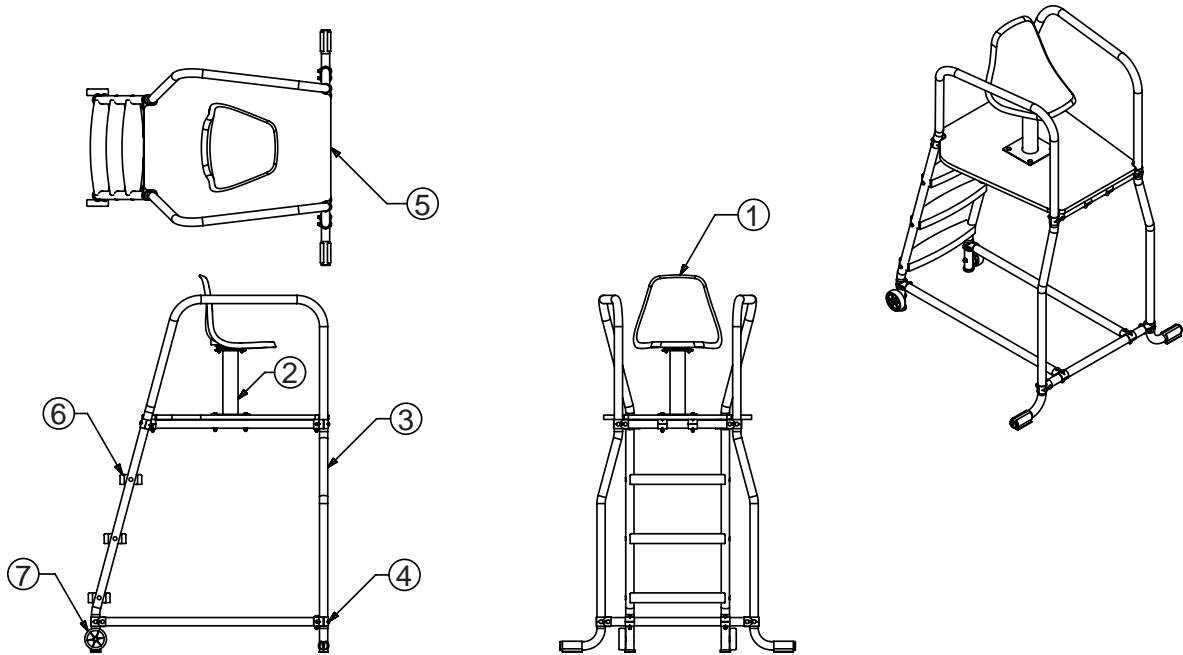
**Prod. #: 500251**

### **Features:**

- **6 ft. seat height.**
- **Rear-mount, portable design, electro-polished 1.90" O.D. 316L stainless steel.**
- **Seat rotates 360°, heavy-duty 5" wheels are designed to engage only when chair is tipped and moved.**

Note: Specifications and pricing subject to change without notice. All dimensions are in inches unless indicated otherwise.

## Kiefer "Scout" 6 ft. Guard Chair



SPECIFICATION NUMBER: <b>13.152.01.04</b>	<b>Product Specifications - Drawing</b>
PRODUCT DESCRIPTION: <b>SCOUT - 6 ft. GUARD CHAIR</b>	<small>THE INFORMATION CONTAINED IN THIS SPECIFICATION IS THE SOLE PROPERTY OF ADOLPH KIEFER &amp; ASSOC. AND CANNOT BE REPRODUCED IN WHOLE OR PART NOR DELIVERED TO OTHERS WITHOUT THE EXPRESS WRITTEN CONSENT OF ADOLPH KIEFER &amp; ASSOC.</small>
PRODUCT NUMBER: <b>500251</b>	
WRITTEN BY: <b>DAG</b> DATE: 07.19.07      REVISION: <b>A</b>	
APPROVED BY: <b>JK</b> DATE: 08.28.07      PAGE No: <b>1 of 2</b>	

**Adolph Kiefer & Assoc.**  
Commercial Products  
1700 KIEFER DRIVE  
ZION, ILLINOIS 60099-0284  
800-451-3262 Fax: 847-872-0284  
[www.kieferpool.com](http://www.kieferpool.com)

### 6 ft. SCOUT GUARD CHAIR

Product Name: Kiefer 6 ft. "Scout" Guard Chair

AKA Product #: 500251

**Application:**

The Kiefer Scout Guard Chair has been redesigned to meet the demanding needs of your facility. While it may appear similar to some of our competitor's models, our latest innovation improves on older designs by providing the ability to mount the chair from the rear. This enables your lifeguards to always keep their eyes forward, scanning your pool and patrons for potential danger. Recommended by leading lifeguard consultants, the 6 ft. frame base measures 54-1/4" x 52-1/2". To maximize stability the wheels are only engaged when you wish to move it. Simply tip it back away from the pool to clear the deck for meets. All Kiefer Scout Guard Chairs are constructed of superior materials. Tubular members are Type 316L stainless steel, electro-polished for durability, corrosion resistance and a lasting clean appearance.

Weight: 145 lbs.

**Specifications:**

- ① The Scout Guard Chair shall provide a molded fiberglass seat 6'-0" above the pool deck.
- ② The seat shall be mounted on an electro-polished stainless steel support pedestal that shall be capable of a full 360 degree rotation.
- ③ The frame shall be constructed from 1.90" O.D. x .065 Wall Type 316L stainless steel pipe, electro-polished.
- ④ All hardware and fasteners shall be 300 series stainless steel.
- ⑤ The platform shall be 1" thick King Starboard - AS or equivalent with a molded in non-skid surface.
- ⑥ The steps shall be injection molded Cicolac with a non-skid surface molded in.
- ⑦ Wheels shall be 5" in diameter and able to rotate freely.

SPECIFICATION NUMBER: <b>13.152.01.04</b>	<b>Product Specs. - Written</b>
PRODUCT DESCRIPTION: <b>SCOUT - 6 ft. GUARD CHAIR</b>	<small>THE INFORMATION CONTAINED IN THIS SPECIFICATION IS THE SOLE PROPERTY OF ADOLPH KIEFER &amp; ASSOC. AND CANNOT BE REPRODUCED IN WHOLE OR PART NOR DELIVERED TO OTHERS WITHOUT THE EXPRESS WRITTEN CONSENT OF ADOLPH KIEFER &amp; ASSOC.</small>
PRODUCT NUMBER: <b>500251</b>	
WRITTEN BY: <b>DAG</b> DATE: 07.19.07      REVISION: <b>A</b>	
APPROVED BY: <b>JK</b> DATE: 08.28.07      PAGE No: <b>2 of 2</b>	

**Adolph Kiefer & Assoc.**  
Commercial Products  
1700 KIEFER DRIVE  
ZION, ILLINOIS 60099-0284  
800-451-3262 Fax: 847-872-0284  
[www.kieferpool.com](http://www.kieferpool.com)