

**“Quicksilver” Guard Chair  
Assembly Instructions  
Model# 500254**



**Adolph Kiefer & Associates  
1700 Kiefer Dr.  
Zion, IL 60099-4093**

**(800) 451-3262  
FAX (847) 872-0284**

**[www.kieferpool.com](http://www.kieferpool.com)**

**Important Note:**

Please read these instructions completely before you begin. For best results two people should assemble this product. This product when fully assembled is heavy. Please do not attempt to lift more than you can handle. When using tools for this assembly be sure to wear the proper safety protection including safety glasses.

**Before** you begin the assemblies unpack your guard chair to assure that you have received all parts listed below. Use the images on the following pages to familiarize yourself with the various components.

You will need the following tools before you proceed:

- Ratchet wrench with 7/16" & 9/16" sockets.
- 7/16" & 9/16" box wrench.
- Phillips Head screwdriver.
- Mallet or soft-faced hammer.
- Tapered alignment tool. (Optional)
- Torque wrench. (Optional)

**Main Components**

Description	Qty.
Fiberglass Seat - (Fig.1)	1
Deck Assembly - (Fig.1)	1
Side Support Rails - (Fig.1)	2
Back Support Rail - (Fig.1)	2
Front Support Brace - (Fig.1)	2
Back Support Brace - (Fig.1)	1
Lower Steps - (Fig.1)	2
Seat Swivel - (Fig. 2)	1
Seat Column - (Fig. 2)	1
5" Diameter Wheels - (Fig. 3)	2
Rubber Rail Bumpers - (Fig. 4)	4

**Hardware**

Description	Qty.
S.S. Split Tee Set - (Fig. 5)	14
3/8-16 x 2 3/4" S.S. Carriage Bolt - (Fig. 5)	28
3/8" S.S. Nylock Nut - (Fig. 5)	30
1/4-20 x 1/2" S.S. Hex Head Mach. Screw	4
1/4" S.S. Flat Washer	4
1/4" S.S. Lock Washer	4
1/4-20 S.S. Hex Nut	4
3/8" S.S. Flat Washer	14
3/8" S.S. Lock Washer	4
3/8-16 S.S. Hex Nut	4
3/8-16 x 2 1/2" S.S. PH Mach. Screw	4
3/8-16 x 4" S.S. PH Mach. Screw	2

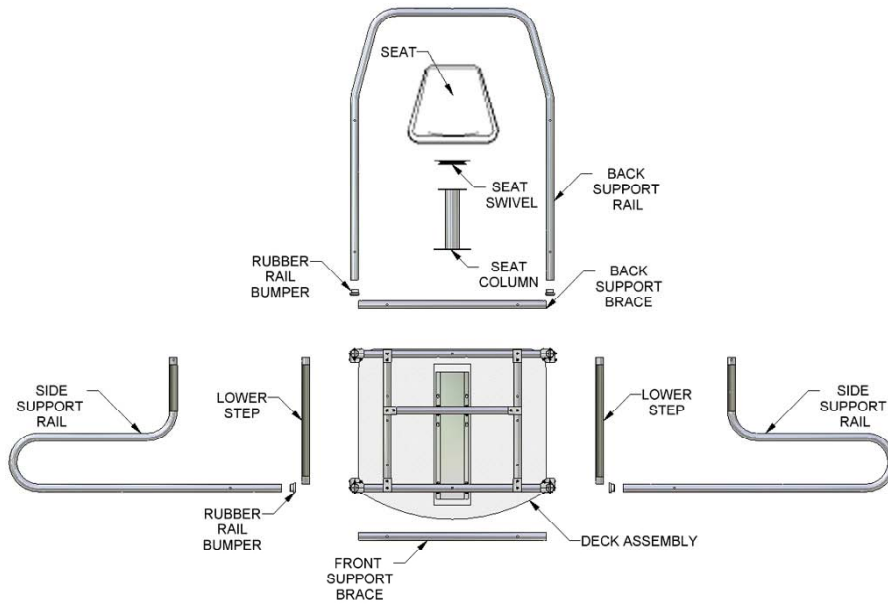


Fig. 1



Fig. 2



Fig. 3



Fig. 4

**Important Note:**

In the steps below, **'With a split tee'** refers to joining two segments of pipe together using two halves of a split tee, two (2) 3/8" by 2 3/4" carriage bolts, and two (2) 3/8" Nylock nuts (See Figure 5). Always attach split tees so that the heads of the bolts face to the outside or top of the guard chair and the nuts are oriented to the inside of the unit. This will present a cleaner appearance while minimizing surfaces prone to snagging clothes, etc.

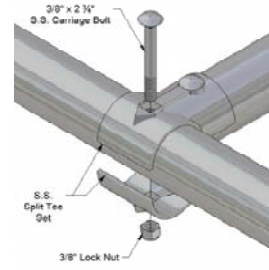


Fig. 5

For steps 1 through 13, do not tighten any bolts more than a couple of threads. At step 14, tighten all bolts securely with a torque wrench so that the nuts are between 15-20 ft/lbs. of torque. If a torque wrench is unavailable, tighten the nuts until you see the thread penetrate the nylon ring on the Nylock nut. Loose assemble means to finger tighten the Nylock nut only.

**Step 1)** With a split tee, attach one (1) side support rail to the back support rail at the joint, (Labeled 1). Loose assemble. See Figure 6.

**Step 2)** With a split tee, attach the other side support rail to the other back support rail at the joint, (Labeled 1). Loose assemble. See Figure 6.

**Step 3)** Connect the front support brace to the two (2) side rails using two (2) split tees at the joints, (Labeled 2). Loose assemble. See Figure 7.

**Step 4)** Repeat this procedure for the rear support brace, connecting it to the back rail at the joints, (Labeled 2). Loose assemble. See Figure 7.

**Step 5)** Connect the lower step to the side support rail and back support rail, using two (2) split tees at the joints, (Labeled 2). Loose assemble. See Figure 7.

**Step 6)** Repeat this procedure for the other lower step using two (2) split tees at the joints, (Labeled 2). Loose assemble. See Figure 7.

**Step 7)** Set the unit on its back and lower the deck assembly so that it is perpendicular with the back rail. With one person holding the deck assembly in place, attach the side rail to the front of the deck assembly at the joint, (Labeled 3) by using a split tee. Make sure all split tees are loose on the deck assembly prior to attaching the deck. Loose assemble. See Figure 8.

**Step 8)** Attach the other side rail to the front of the deck assembly at the other joint, (Labeled 3) by using a split tee. Loose assemble. See Figure 8.

**Step 9)** While the unit is still resting on the back support rail, insert the four (4) rubber bumpers, (Labeled 4) into the bottom of the legs (back and side support rails). See Figure 8.

**Step 10)** While supporting the unfastened section of the deck assembly, return the unit to an upright position.

**Step 11)** With a split tee, attach the back of the deck assembly to the back rail at the joint, (Labeled 5). Loose assemble. See Figure 8.

**Step 12)** With a split tee, attach the other side of the back of the deck assembly to the back rail at the additional joint (Labeled 5). Loose assemble. See Figure 8.



Fig. 6



Fig. 7

**Step 13)** Secure the wheels to the back of the guard chair by using One (1) 3/8-16 x 4" S.S. Round Head Machine Screw, Three (3) 3/8" S.S. Flat Washers, and One (1) 3/8" Nylock Nut for each wheel as shown in **Figure 9**. (Note: a flat washer should be located on each side of the tube and wheel to reduce rubbing and friction. The wheels should be secured on the inside of the guard chair).

**Step 14)** Using a torque wrench, tighten all 3/8" lock nuts on the Loose assembled split tees until the nuts are between 15-20 ft/lbs. of torque. If a torque wrench is unavailable, tighten the nuts until you see the thread penetrate the nylon ring on the Nylock nut.

**Step 15)** Rotate the top of the seat swivel 45 degrees to allow easy access to install the seat to the swivel. Attach the swivel to the fiberglass seat using four (4) 1/4-20 x 1/2" Hex Head Machine Screws, four (4) 1/4" Flat Washers, and four (4) 1/4" Lock Washers.

**See Figure 10.**

**Step 16)** Attach the seat column to the deck assembly using four (4) 3/8-16 x 2 1/2" Pan Head - Phillips Head - Machine Screws, eight (8) 3/8" Flat Washers, four (4) 3/8" Lock Washers, and four (4) 3/8" Hex Nuts. **See Figure 10.**

Assembly is now complete. Keep these instructions for future use. If you have an outdoor facility, you may follow these instructions in reverse to break down your Kiefer "Quicksilver" Guard Chair into smaller components for storage during the off-season.

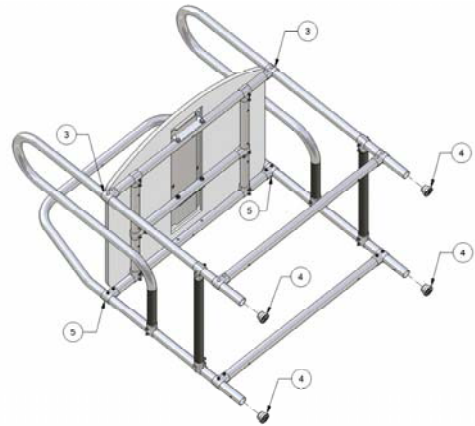


Fig. 8

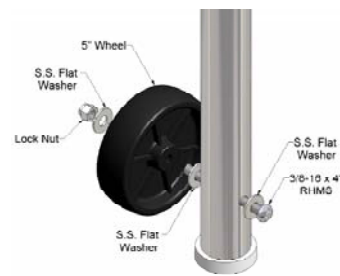
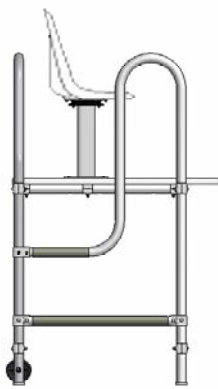


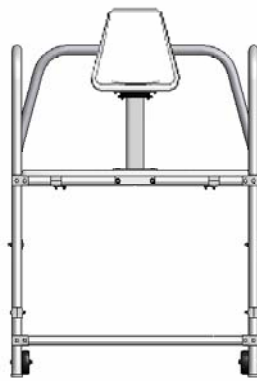
Fig. 9



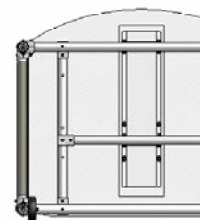
Fig. 10



Side View



Front View



Deck Assembly View

## SWIMMING POOL EQUIPMENT WARRANTY

### Kiefer Manufactured Products

- A. Adolph Kiefer & Associates (AKA) warrants that the equipment, which is furnished on this project, shall perform without defect(s), due to materials or manufacturing for a period of one year from the date of purchase.
- B. Within the warranty period and at no cost to the owner, AKA shall repair or replace such equipment, which fails to perform due to defect(s) in materials, manufacturing or workmanship. Written notification and documentation of the particular defect(s) must be transmitted to AKA within ten days of when the equipment defect(s) or failure is noticed.
- C. Excluded from this warranty are any defect(s) due to damage caused by: improper handling, storage or installation; accidents; vandalism; improper usage; inadequate maintenance of the equipment; environmental conditions or natural disaster.
- D. In no event shall AKA be held liable for consequential, incidental, indirect or special damages which occur from the use or repair of the equipment. This includes damages to persons or property, and loss of use of the equipment or the pool facility.
- E. Neither the project contractor(s) nor the owner (or operator) of the pool facility shall have the right to offset charges or withhold monies for warranty claims against any payment(s) due to AKA.
- F. Warranty repairs shall take place either at the pool location, at AKA's place of business, or at another suitable location. The purchaser of the equipment shall be responsible for (and bear the cost of) the removal, re-installation and transportation of the equipment; if required. AKA shall be responsible for either the repair or replacement (at its discretion), and transportation of the equipment to the pool facility.
- G. This warranty is in lieu of all other warranties or guarantees, expressed or implied. Specifically excluded, but not by way of limitation, are the implied warranties of merchantability and fitness for a particular purpose. Also, this warranty does not include or apply to any swimming pool accessories and equipment manufactured or supplied by others.