

Kiefer “Quicksilver” Guard Chair

Product # 500254



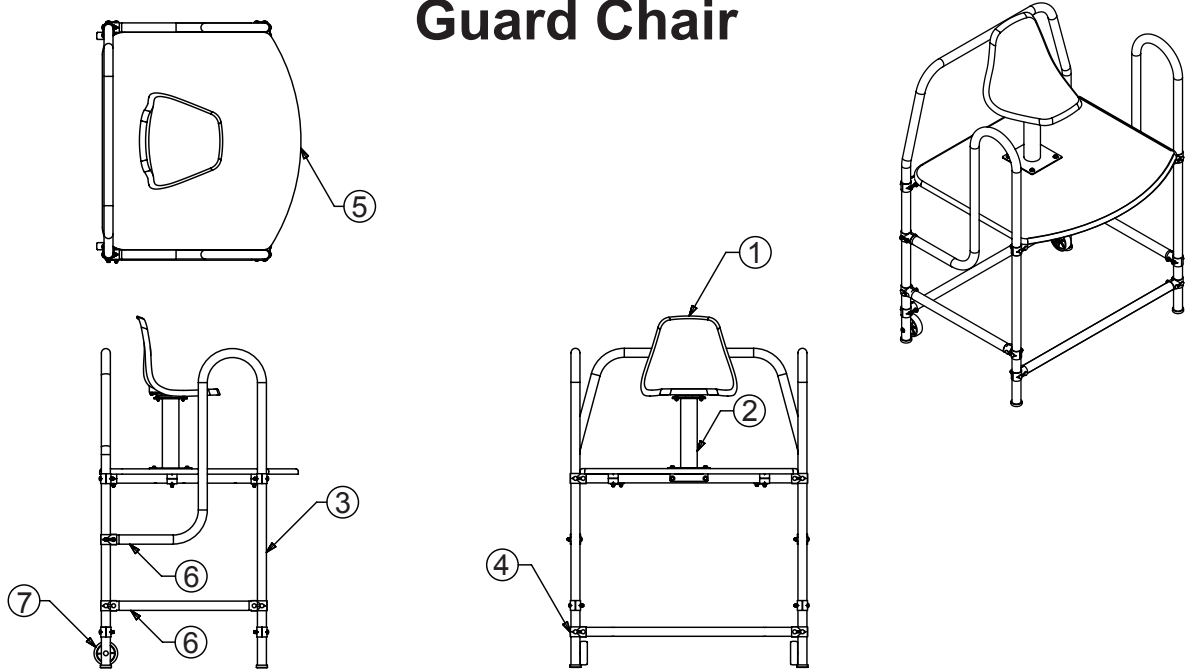
Features:


- Meets YMCA specification for 5 ft. seat height and accessibility from both sides.
- Portable, just tip back to engage 5” wheels.
- Ships assembled or unassembled.

Note: Specifications and pricing subject to change without notice. All dimensions are in inches unless indicated otherwise.

Kiefer "Quicksilver"

Guard Chair



SPECIFICATION NUMBER:	13.152.01.04			Product Specifications - Drawing	 Adolph Kiefer & Assoc. Commercial Products 1700 KIEFER DRIVE ZION, ILLINOIS 60099-4093 800-323-4071 Fax: 847-872-0284 www.kiefer.com
PRODUCT DESCRIPTION:	QUICKSILVER GUARD CHAIR				
PRODUCT NUMBER:	500254			THE INFORMATION CONTAINED IN THIS SPECIFICATION IS THE SOLE PROPERTY OF ADOLPH KIEFER & ASSOC. AND CANNOT BE REPRODUCED IN WHOLE OR PART, NOR DELIVERED TO OTHERS WITHOUT THE EXPRESS WRITTEN CONSENT OF ADOLPH KIEFER & ASSOC.	
WRITTEN BY:	DAG	DATE: 07.19.07	REVISION: A		
APPROVED BY:	JK	DATE: 08.08.07	PAGE No: 1 of 2		

Product Name: Kiefer "Quicksilver" Guard Chair

AKA Product #: 500254


Application:

Accessible from both sides for quick and easy guard changes, the seat rotates a full 360 degrees to see all the action. Virtually maintenance free. Just tip it on its back wheels to easily clear the deck for meets.

Weight: 130 lbs.

Specifications:

- ① The Quicksilver Guard Chair shall provide a molded fiberglass seat 5'-0" above the pool deck.
- ② The seat shall be mounted on a Type 304L stainless steel support pedestal, electro-polished that shall be capable of a full 360 degree rotation.
- ③ The frame shall be constructed from 1.90" O.D. x .065" Wall Type 304L stainless steel pipe, electro-polished.
- ④ All hardware and fasteners shall be 300 series stainless steel.
- ⑤ The platform shall be roto-cast thermoplastic 46"w x 42"d and shall have a non-skid embedded surface.
- ⑥ The platform shall be accessible from either side by two (2) steps, covered with a non-skid material.
- ⑦ Wheels shall be 5" in diameter and able to rotate freely

SPECIFICATION NUMBER:	13.152.01.04			Product Specifications - Written	 Adolph Kiefer & Assoc. Commercial Products 1700 KIEFER DRIVE ZION, ILLINOIS 60099-4093 800-323-4071 Fax: 847-872-0284 www.kiefer.com
PRODUCT DESCRIPTION:	QUICKSILVER GUARD CHAIR				
PRODUCT NUMBER:	500254			THE INFORMATION CONTAINED IN THIS SPECIFICATION IS THE SOLE PROPERTY OF ADOLPH KIEFER & ASSOC. AND CANNOT BE REPRODUCED IN WHOLE OR PART, NOR DELIVERED TO OTHERS WITHOUT THE EXPRESS WRITTEN CONSENT OF ADOLPH KIEFER & ASSOC.	
WRITTEN BY:	DAG	DATE: 07.19.07	REVISION: A		
APPROVED BY:	JK	DATE: 08.08.07	PAGE No: 2 of 2		