



**“Intrepid SS”
Assembly Instructions
Product#: 500340SS**



**Adolph Kiefer & Associates
1700 Kiefer Dr.
Zion, IL 60099-4093**

**(800) 451-3262
FAX (847) 872-0284**

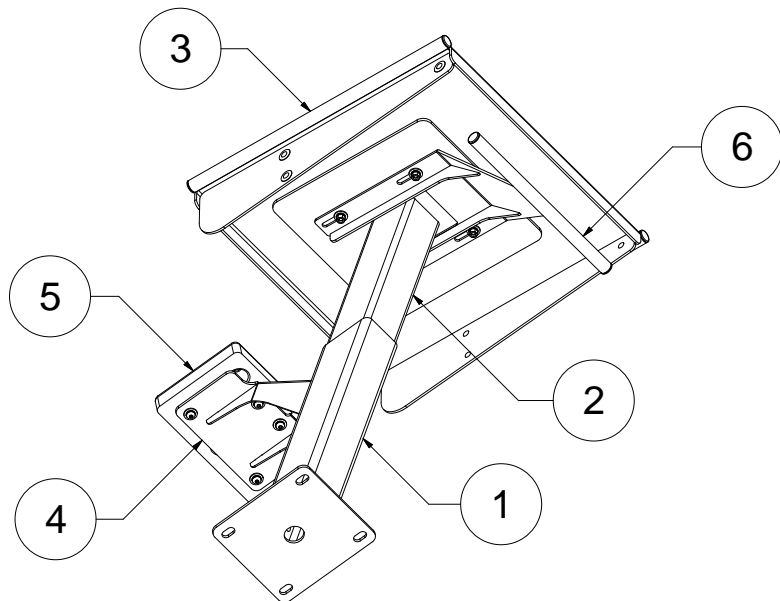
www.kieferpool.com

Parts List per Unit - 500340SS

| Item No. | Description | Part No. | Qty. |
|----------|---|----------|------|
| ① | • Lower Pedestal | 340012BW | 1 |
| ② | • Upper Pedestal | 340013CW | 1 |
| ③ | • SS-Stainless Steel Top | 300017SS | 1 |
| ④ | • Step Bracket | 360100SW | 1 |
| ⑤ | • Plastic Step | 500385PS | 1 |
| ⑥ | • Backstroke Bar | 300010BB | 1 |
| ⑦ | • Plastic Spacer Plate | 340015PP | 1 |
| | • 3/8"-16 x 1" BSHCS S.S. | FA381BHS | 4 |
| | • 3/8"-16 x 1-1/4" SHCS S.S. | FA38114S | 4 |
| | • 3/8" Flat Washer S.S. | FA38FW | 12 |
| | • 3/8" Lock Washer S.S. | FA38LW | 12 |
| | • 3/8-16 HH Nut S.S. | FA38HN | 4 |
| | • 1-1/2" Dia. Plastic Pedestal Plug, Black | PLH018 | 2 |
| | • 1" Plastic End Caps, Black (<i>installed</i>) | 132PG | 6 |
| | • 7/16" Dia. Plastic Pedestal Plug, Black | PIP-7/16 | 6 |
| | • 9/16" Dia. Plastic Pedestal Plug, Black | PIP-9/16 | 16 |
| | • 1/2" Expansion Anchor Installation Tool | 500119T | 1 |
| | • Kiefer or Custom Logo (<i>applied</i>) | 627366 | 1 |
| | • Diver Warning Label (<i>applied</i>) | 2401903 | 1 |

Tools needed:

- 9/16" Wrench or Socket
- 7/32" Allen Wrench
- 5/16" Allen Wrench
- Torque Wrench (optional)



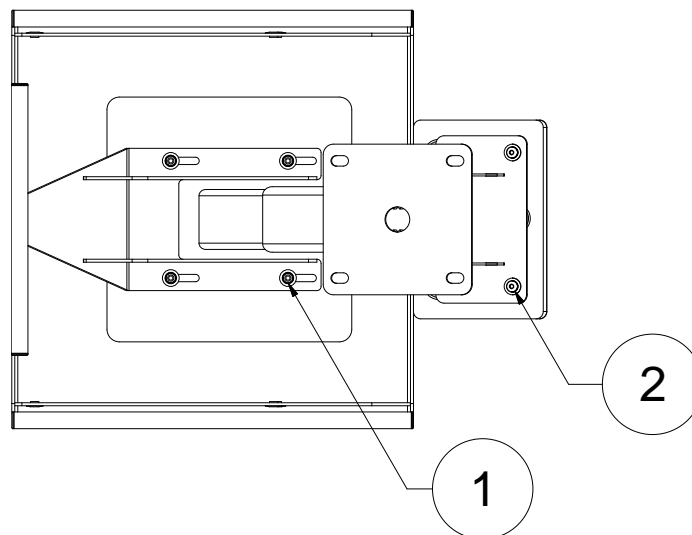
CAUTION:

This product is heavy when fully assembled, ask for assistance when placing or moving the Starting Platform.
Wear appropriate clothing and Safety Glasses during assembly.

Assembly Instructions:

1. Unpack cartons and verify contents with the parts list on page 2.
2. On a protective surface, lay the "SS" ③ top face down. Make sure the front of the top is facing towards you.
3. Place the plastic spacer plate ⑦ over the four (4) threaded studs in the starting block top.
3. Turn the upper pedestal ② upside down and place the top column plate onto the "SS" top, with the body of the column slanting away from the front side of the top. Align the holes in the column plate with the threaded studs in the top.
4. Place the backstroke bar ⑥ over the same threaded studs, being sure the handle of the backstroke bar is facing towards the front of the block.
5. Using four (4) each, 3/8-16 hex nuts, 3/8" lock washers, and 3/8" flat washers, hand tighten onto the studs the plastic spacer plate, upper column plate and backstroke bar. Adjust the backstroke bar if needed, so it is parallel and plumb to the front of starting block top. (#1)
6. Determine the placement of the step bracket ④ by referring to the supplied assembly drawing. Slide the lower pedestal ① over the upper pedestal and then tip over the entire starting block assembly so that it is resting on the backstroke bar and lower pedestal base. Align the holes for the bottom step location and fasten the bottom step bracket to the pedestal with four (4) each, 3/8"-16 x 1-1/4" SHCS, 3/8" lock washers, and 3/8" flat washers, by bolting through the bottom step bracket, lower pedestal, and into the top pedestal.
7. Attach the plastic step ⑤ to the step bracket. Align the step bracket holes with the threaded inserts in the bottom of the step. Fasten the step with four (4) each, 3/8"-16 x 1" S.S. BSHCS, 3/8" S.S. lock washers, and 3/8" S.S. flat washers. (#3)
8. Tighten all fasteners; #1, #2 & #3. (Using too much force when tightening the fasteners may cause the bolts to fail. To prevent this use a torque wrench tightening the bolts to between 15 and 20 ft/lbs. of torque. Insert 9/16" plastic pedestal plugs into the unused holes in the lower pedestal.

Your Starting Platform is now assembled and ready for installation!



SWIMMING POOL EQUIPMENT WARRANTY

Kiefer Manufactured Products

- A. Adolph Kiefer & Associates (AKA) warrants that the equipment, which is furnished on this project, shall perform without defect(s), due to materials or manufacturing for a period of one year from the date of purchase.
- B. Within the warranty period and at no cost to the owner, AKA shall repair or replace such equipment, which fails to perform due to defect(s) in materials, manufacturing or workmanship. Written notification and documentation of the particular defect(s) must be transmitted to AKA within ten days of when the equipment defect(s) or failure is noticed.
- C. Excluded from this warranty are any defect(s) due to damage caused by: improper handling, storage or installation; accidents; vandalism; improper usage; inadequate maintenance of the equipment; environmental conditions or natural disaster.
- D. In no event shall AKA be held liable for consequential, incidental, indirect or special damages which occur from the use or repair of the equipment. This includes damages to persons or property, and loss of use of the equipment or the pool facility.
- E. Neither the project contractor(s) nor the owner (or operator) of the pool facility shall have the right to offset charges or withhold monies for warranty claims against any payment(s) due to AKA.
- F. Warranty repairs shall take place either at the pool location, at AKA's place of business, or at another suitable location. The purchaser of the equipment shall be responsible for (and bear the cost of) the removal, re-installation and transportation of the equipment; if required. AKA shall be responsible for either the repair or replacement (at its discretion), and transportation of the equipment to the pool facility.
- G. This warranty is in lieu of all other warranties or guarantees, expressed or implied. Specifically excluded, but not by way of limitation, are the implied warranties of merchantability and fitness for a particular purpose. Also, this warranty does not include or apply to any swimming pool accessories and equipment manufactured or supplied by others.