

Kiefer “Intrepid XL” Starting Block

Product # 500340XL



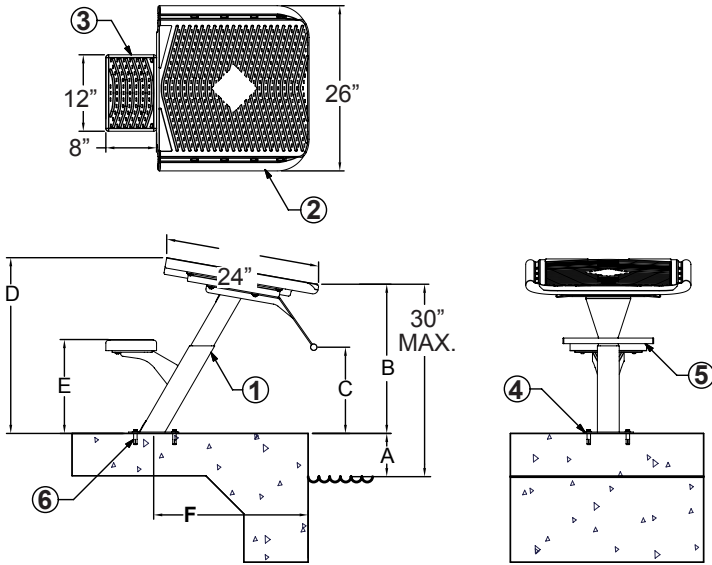
Features:

- Single pedestal, rear-mount.
- XL - Thermoplastic Top 26”w x 24”d.
- Electro-polished stainless steel or custom powder coated pedestals in a variety of colors.
- Standard Kiefer Logo on top, custom logos available.
- Conforms to regulations of long/short course competition for US Swimming, NCAA, FINA, NFHS.
- The “Intrepid XL” can accommodate deck-to-water levels from 2” to 12” with a nominal setback of 22 3/4”- 29”.
- Anchor options:
 - Kiefer “Expansion Anchor” (Prod. # 500119).
 - Kiefer “Grout-In Anchor” (Prod. # 500360G).
 - Kiefer “Cage Anchor” (Prod. # 500360C).


Note: Specifications and pricing subject to change without notice. All dimensions are in inches unless indicated otherwise.

Kiefer "Intrepid XL"

Starting Block



	A	B	C	D	E	F
2"	27 1/2"	18 1/8"	31 7/8"	17 5/8"	29"	
3"	26 1/2"	17 1/8"	30 7/8"	17 5/8"	28 3/8"	
4"	25 1/2"	16 1/8"	29 7/8"	16 5/8"	27 3/4"	
5"	24 1/2"	15 1/8"	28 7/8"	16 5/8"	27 1/8"	
6"	23 1/2"	14 1/8"	27 7/8"	15 5/8"	26 1/2"	
7"	22 1/2"	13 1/8"	26 7/8"	14 5/8"	25 7/8"	
8"	21 1/2"	12 1/8"	25 7/8"	13 5/8"	25 1/4"	
9"	20 1/2"	11 1/8"	24 7/8"	12 5/8"	24 5/8"	
10"	19 1/2"	10 1/8"	23 7/8"	11 5/8"	24"	
11"	18 1/2"	9 1/8"	22 7/8"	10 5/8"	23 3/8"	
12"	17 1/2"	8 1/8"	21 7/8"	9 5/8"	22 3/4"	

SPECIFICATION NUMBER:	13.152.01.08			Product Specifications - Drawing	 Adolph Kiefer & Assoc. Commercial Products 1700 KIEFER DRIVE ZION, ILLINOIS 60099-4093 800-323-4071 Fax: 847-872-0284 www.kiefer.com
PRODUCT DESCRIPTION:	INTREPID XL STARTING PLATFORM				
PRODUCT NUMBER:	500340XL			THE INFORMATION CONTAINED IN THIS SPECIFICATION IS THE SOLE PROPERTY OF ADOLPH KIEFER & ASSOC. AND CANNOT BE REPRODUCED IN WHOLE OR PART, NOR DELIVERED TO OTHERS WITHOUT THE EXPRESS WRITTEN CONSENT OF ADOLPH KIEFER & ASSOC.	
WRITTEN BY:	DAG	DATE: 07.30.07	REVISION: A		
APPROVED BY:	JK	DATE: 08.22.07	PAGE No: 1 of 2		

INTREPID XL STARTING BLOCK

Product Name: "Intrepid XL"

AKA Product #: 500340XL

Application:

Conforms to regulations for both long and short course competition for US Swimming, NCAA, FINA, and NFHS by maintaining a maximum height of 29.5" above the surface of the water.

Thermoplastic (XL) top and step available in a choice of colors: Blue, Gold, Orange, Red, Granite, Black, Green, Purple or Burgundy.

Pedestals have a concealed internal channel for clean, tangle-free routing of timing equipment cables.

Lane numbers adhere on both the right and left sides of the pedestal and on the backstroke bar in consecutive order in black or white. Custom colors and logos are available for an additional charge.


Weight: 97.0 lbs.

Specifications:

The Kiefer "Intrepid XL" starting block (500340XL) shall be all stainless steel construction, using Type 304L stainless steel, either electro-polished or powder coated.

- ① The column assembly shall be adjustable in 1" increments to accommodate deck-to-water levels of 2" to 12".
- ② The block top shall measure 26"w x 24"d, molded thermoplastic with a non-slip embedded top surface, integral side rails and fixed at a 10 degree angle, (towards the pool). Unless otherwise specified a Kiefer deck logo shall be applied.
- ③ The step shall be 12" x 8" molded thermoplastic with a non-slip embedded top surface.
- ④ Base plate shall be 1/4" thick.
- ⑤ The backstroke bar shall be 1" O.D. tube x .065" wall, Type 304L stainless steel, electro-polished or powder coated, (provided with two (2) plastic end caps).
- ⑥ Each starting block shall be supplied with four (4) Type 304 stainless steel expansion anchors and hardware.

All fasteners and hardware shall be 300 series stainless steel.

SPECIFICATION NUMBER:	13.152.01.08			Product Specifications - Written	 Adolph Kiefer & Assoc. Commercial Products 1700 KIEFER DRIVE ZION, ILLINOIS 60099-4093 800-323-4071 Fax: 847-872-0284 www.kiefer.com
PRODUCT DESCRIPTION:	INTREPID XL STARTING PLATFORM				
PRODUCT NUMBER:	500340XL			THE INFORMATION CONTAINED IN THIS SPECIFICATION IS THE SOLE PROPERTY OF ADOLPH KIEFER & ASSOC. AND CANNOT BE REPRODUCED IN WHOLE OR PART, NOR DELIVERED TO OTHERS WITHOUT THE EXPRESS WRITTEN CONSENT OF ADOLPH KIEFER & ASSOC.	
WRITTEN BY:	DAG	DATE: 08.22.07	REVISION: A		
APPROVED BY:	JK	DATE: 08.22.07	PAGE No: 2 of 2		