

**“Competitor TT”
Assembly Instructions
Product#: 500355TT**



**Adolph Kiefer & Associates
1700 Kiefer Dr.
Zion, IL 60099-4093**

**(800) 451-3262
FAX (847) 872-0284**

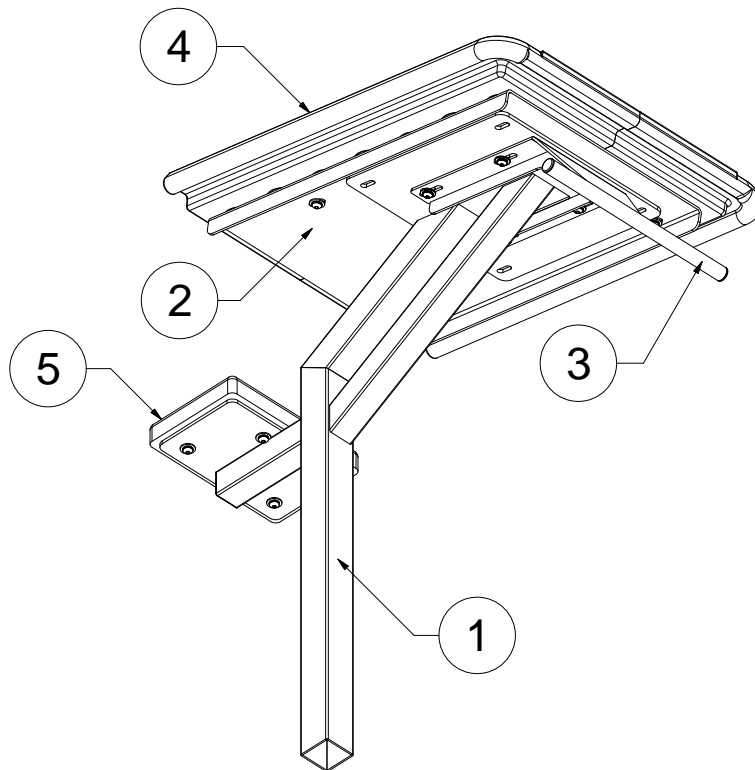
www.kieferpool.com

Parts List per Unit - 500355TT

Item No.	Description	Part No.	Qty.
1	• Frame Weldment	355007FW	1
2	• Support Plate	300028SP	1
3	• Backstroke Bar	300010BB	1
4	• TT Thermoplastic Top	500385TT	1
5	• Plastic Step	500385PS	1
	• 3/8"-16 x 3/4" BSHCS S.S.	FA3834BH	10
	• 3/8"-16 x 1-1/4" SHCS S.S.	FA38114S	4
	• 3/8" Flat Washer S.S.	FA38FW	14
	• 3/8" Lock Washer S.S.	FA38LW	14
	• 2" Square Cap (installed)	FP321	1
	• Backstroke Bar End Caps (installed)	132PG	2
	• Kiefer or Custom Logo (installed)	627366	1
	• Diver Warning Label (installed)	2401903	1

Tools needed:

- 7/32" Allen Wrench
- 5/16" Allen Wrench
- Torque Wrench (optional)



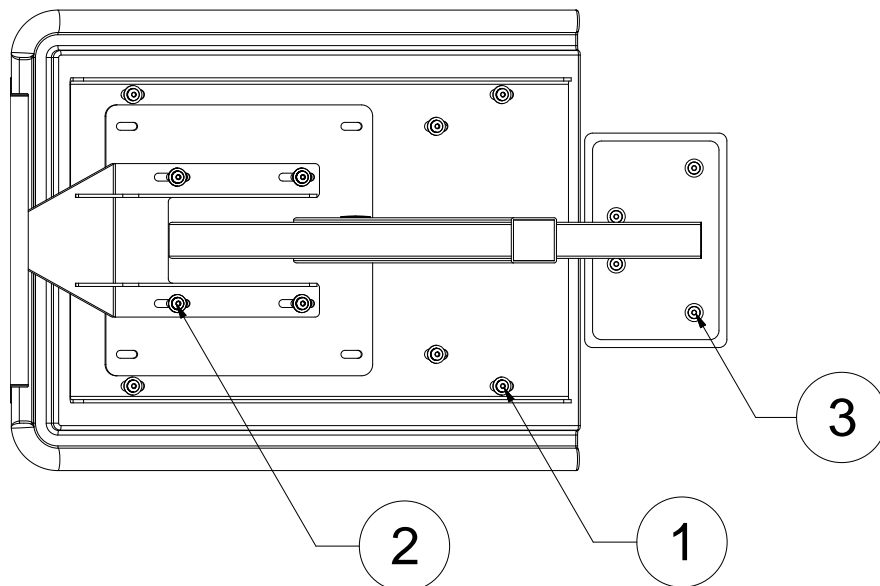
CAUTION:

This product is heavy when fully assembled, ask for assistance when placing or moving the Starting Platform.
Wear appropriate clothing and Safety Glasses when assembling this product.

Assembly Instructions:

1. Unpack cartons and verify contents with the parts list on page 2.
2. On a protective surface, lay the "TT" top face down. Make sure the front of the top is facing towards you.
3. Place the support plate on the top, aligning all slotted holes with the threaded inserts. Using six (6) each, 3/8"-16 x 3/4" BSHCS, 3/8" S.S. lock washers, and 3/8" S.S. flat washers, loose assemble the plate to the top through the outer six slots. (#1)
4. Place the frame weldment on the support plate, aligning all holes with the threaded inserts. Place the backstroke bar over the frame weldment and align it with the four middle threaded inserts in the top. Using four (4) each, 3/8"-16 x 1-1/4" SHCS, 3/8" S.S. lock washers, and 3/8" S.S. flat washers, loose assemble the frame and backstroke bar to the top. (#2) Adjust the backstroke bar if needed so it is parallel and plum to the front leading edge of the top.
5. Attach the plastic step to the step bracket. Align the step bracket holes with the threaded inserts in the bottom of the step. Fasten the step with four (4) each, 3/8"-16 x 3/4" S.S. BSHCS, 3/8" S.S. lock washers, and 3/8" S.S. flat washers. (#3)
6. Tighten all fasteners; #1, #2 & #3. (Using too much force when tightening the fasteners may cause damage to the bolts or inserts. To prevent this use a torque wrench, tightening the bolts to between 15 and 20 ft./lbs. of torque).

After setting the block into the anchor, minor adjustments can be made for the backstroke bar by loosening and retightening the four (4) 3/8"-16 x 1 1/4" SHCS.



SWIMMING POOL EQUIPMENT WARRANTY

Kiefer Manufactured Products

- A. Adolph Kiefer & Associates (AKA) warrants that the equipment, which is furnished on this project, shall perform without defect(s), due to materials or manufacturing for a period of one year from the date of purchase.
- B. Within the warranty period and at no cost to the owner, AKA shall repair or replace such equipment, which fails to perform due to defect(s) in materials, manufacturing or workmanship. Written notification and documentation of the particular defect(s) must be transmitted to AKA within ten days of when the equipment defect(s) or failure is noticed.
- C. Excluded from this warranty are any defect(s) due to damage caused by: improper handling, storage or installation; accidents; vandalism; improper usage; inadequate maintenance of the equipment; environmental conditions or natural disaster.
- D. In no event shall AKA be held liable for consequential, incidental, indirect or special damages which occur from the use or repair of the equipment. This includes damages to persons or property, and loss of use of the equipment or the pool facility.
- E. Neither the project contractor(s) nor the owner (or operator) of the pool facility shall have the right to offset charges or withhold monies for warranty claims against any payment(s) due to AKA.
- F. Warranty repairs shall take place either at the pool location, at AKA's place of business, or at another suitable location. The purchaser of the equipment shall be responsible for (and bear the cost of) the removal, re-installation and transportation of the equipment; if required. AKA shall be responsible for either the repair or replacement (at its discretion), and transportation of the equipment to the pool facility.
- G. This warranty is in lieu of all other warranties or guarantees, expressed or implied. Specifically excluded, but not by way of limitation, are the implied warranties of merchantability and fitness for a particular purpose. Also, this warranty does not include or apply to any swimming pool accessories and equipment manufactured or supplied by others.