

**“TrackStart TT”
Assembly Instructions
Product#: 500375TT**



**Adolph Kiefer & Associates
1700 Kiefer Dr.
Zion, IL 60099-4093**

**(800) 451-3262
FAX (847) 872-0284**

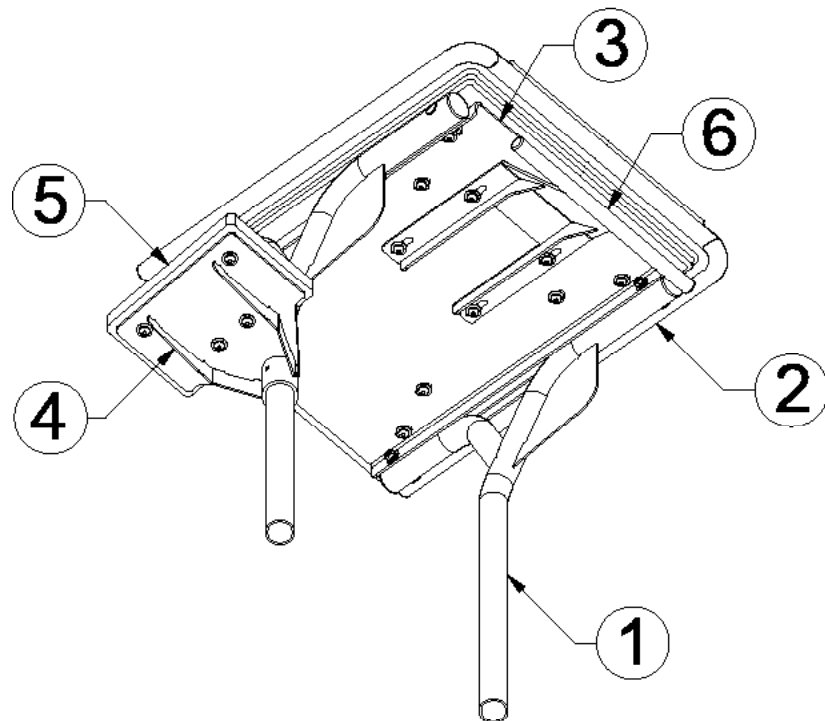
www.kieferpool.com

Parts List per Unit

Item No.	Description	Part No.	Qty.
1	• Stainless Steel Leg	375003LW	2
2	• TT-Thermoplastic Top	500385TT	1
3	• Platform Support Plate	300028SP	1
4	• Step Bracket	375011SW	1
5	• Plastic Step	500385PS	1
6	• Backstroke Bar	300010BB	1
	• 3/8" Flat Washer S.S.	FA38FW	16
	• 3/8" Lock Washer S.S.	FA38LW	16
	• 3/8"-16 HH Nut S.S.	FA38HN	4
	• 3/8"-16 x 3/4" BSHCS S.S.	FA3834BH	12
	• 3/8"-16 x 1" BSHCS S.S.	FA381BHS	4
	• 3/8"-16 x 2-3/4" BSHCS S.S.	FA38234B	4
	• 3/8"-16 x 1/2" SHSS S.S.	FA3812SH	3
	• Schedule 10 Cap (<i>installed</i>)	500715CP	2
	• Schedule 40 Cap (<i>installed</i>)	500718CP	2
	• 1" Plastic End Caps (<i>installed</i>)	132PG	6
	• Kiefer or Custom Logo (<i>applied</i>)	627366	1
	• Diver Warning Label (<i>applied</i>)	2401903	1

Tools needed:

- 9/16" Wrench or Socket
- 5/32" Allen Wrench
- 3/16" Allen Wrench
- Torque Wrench (optional)



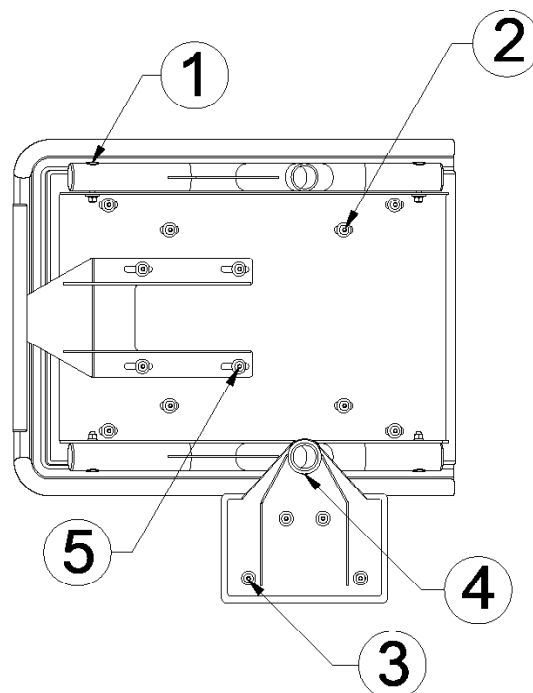
CAUTION:

This product is heavy when fully assembled, ask for assistance when placing or moving the Starting Platform. Wear appropriate clothing and Safety Glasses when assembling this product.

Assembly Instructions:

1. Unpack cartons and verify contents with the parts list on page 2.
2. On a protective surface, lay the "TT" plastic top face down. Make sure the front of the top is facing towards you. Set the support plate on top of it aligning all holes with the top.
3. Align leg set holes with the two (2) holes on the vertical sides of support plate. Legs should be positioned to the outside of the support plate. Using four (4) each, 3/8" x 2-3/4" S.S. BSHCS, 3/8" S.S. flat washers, 3/8" S.S. lock washer, and 3/8" S.S. hex nuts, hand-tighten through the starting block top support plate and leg set. **(#1)**
4. Using (8) each 3/8-16 x 3/4" S.S. BSHCS, 3/8" S.S. flat washers and 3/8" S.S. lock washers, hand tighten the support plate into all other inserts showing. **(#2)**
5. Slide the step bracket over the desired leg at the correct height and position it 90 degrees to the starting block top. Tighten (3) setscrews on the step bracket. Attach the plastic step using (4) each 3/8-16 x 3/4" S.S. BSHCS, 3/8" S.S. flat washers, 3/8" S.S. lock washers, to the step bracket top plate. **(#3 & #4)**
6. Position the backstroke bar over the four middle inserts on the underside of the top, being sure the front of backstroke bar is aligned with the front of starting block top. Using four (4) each 3/8-16 x 1 S.S. BSHCS, 3/8" S.S. flat washers and 3/8" S.S. lock washers, hand tighten the backstroke bar onto the starting block top. **(#5)**
7. Tighten all fasteners; #1, #2, #3, #4 & #5. (Using too much force when tightening the fasteners may cause the bolts to fail. To prevent this use a torque wrench tightening the bolts to between 15 and 20 ft/lbs. of torque).

After setting the block into the anchor, minor adjustments can be made of the backstroke bar to the leading edge of the platform top by loosening and retightening the four (4) 3/8-16 x 1 S.S. BSHCS.



SWIMMING POOL EQUIPMENT WARRANTY

Kiefer Manufactured Products

- A. Adolph Kiefer & Associates (AKA) warrants that the equipment, which is furnished on this project, shall perform without defect(s), due to materials or manufacturing for a period of one year from the date of purchase.
- B. Within the warranty period and at no cost to the owner, AKA shall repair or replace such equipment, which fails to perform due to defect(s) in materials, manufacturing or workmanship. Written notification and documentation of the particular defect(s) must be transmitted to AKA within ten days of when the equipment defect(s) or failure is noticed.
- C. Excluded from this warranty are any defect(s) due to damage caused by: improper handling, storage or installation; accidents; vandalism; improper usage; inadequate maintenance of the equipment; environmental conditions or natural disaster.
- D. In no event shall AKA be held liable for consequential, incidental, indirect or special damages which occur from the use or repair of the equipment. This includes damages to persons or property, and loss of use of the equipment or the pool facility.
- E. Neither the project contractor(s) nor the owner (or operator) of the pool facility shall have the right to offset charges or withhold monies for warranty claims against any payment(s) due to AKA.
- F. Warranty repairs shall take place either at the pool location, at AKA's place of business, or at another suitable location. The purchaser of the equipment shall be responsible for (and bear the cost of) the removal, re-installation and transportation of the equipment; if required. AKA shall be responsible for either the repair or replacement (at its discretion), and transportation of the equipment to the pool facility.
- G. This warranty is in lieu of all other warranties or guarantees, expressed or implied. Specifically excluded, but not by way of limitation, are the implied warranties of merchantability and fitness for a particular purpose. Also, this warranty does not include or apply to any swimming pool accessories and equipment manufactured or supplied by others.