



**“Olympian SS”
Assembly Instructions
Product#: 500390SS**



**Adolph Kiefer & Associates
1700 Kiefer Dr.
Zion, IL 60099-4093**

**(800) 451-3262
FAX (847) 872-0284**

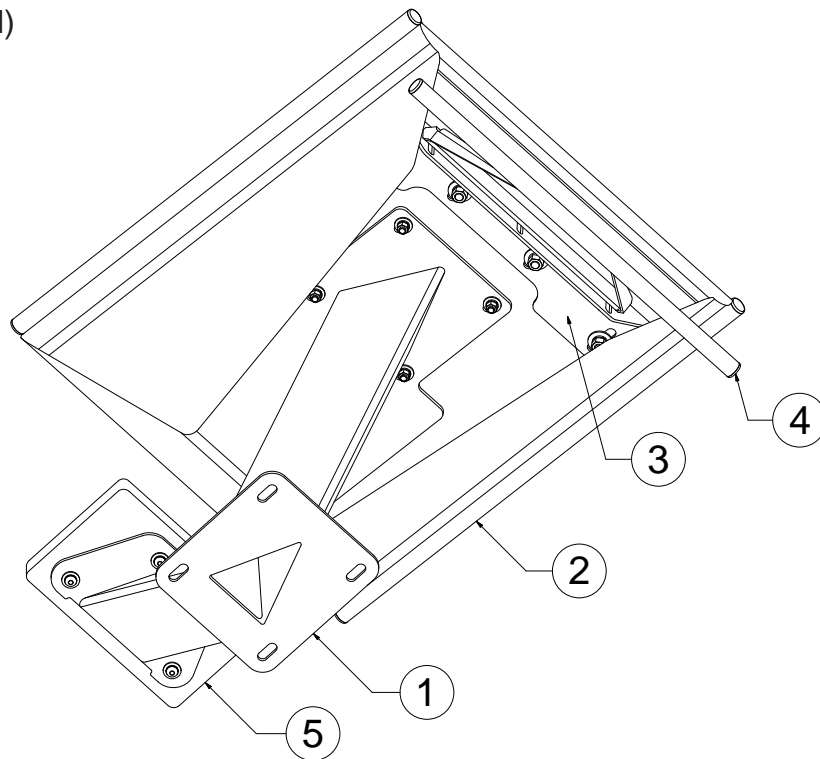
www.kieferpool.com

Parts List per Unit

Item No.	Description	Part No.	Qty.
1	• Column Weldment	390000CW	1
2	• SS-Stainless Steel Top	390000DW	1
3	• Backstroke Bar Bracket	300021BB	1
4	• Backstroke Bar	300000BS	1
5	• Plastic Step	500385PS	1
	• 3/8"-16 x 1" BSHCS S.S.	FA381BHS	4
	• 3/8" Flat Washer S.S.	FA38FW	13
	• 3/8" Lock Washer S.S.	FA38LW	13
	• 3/8-16 HH Nut S.S.	FA38HN	9
	• 1-1/2" Dia. Plastic Pedestal Plug, Black	PLH018	1
	• 2" Dia. Plastic Pedestal Plug, Black	85985K32	2
	• 1" Plastic End Caps (<i>installed</i>)	132PG	6
	• Kiefer or Custom Logo (<i>applied</i>)	627366	1
	• Diver Warning Label (<i>applied</i>)	2401903	1

Tools needed:

- 9/16" Wrench or Socket
- 7/32" Allen Wrench
- Torque Wrench (optional)



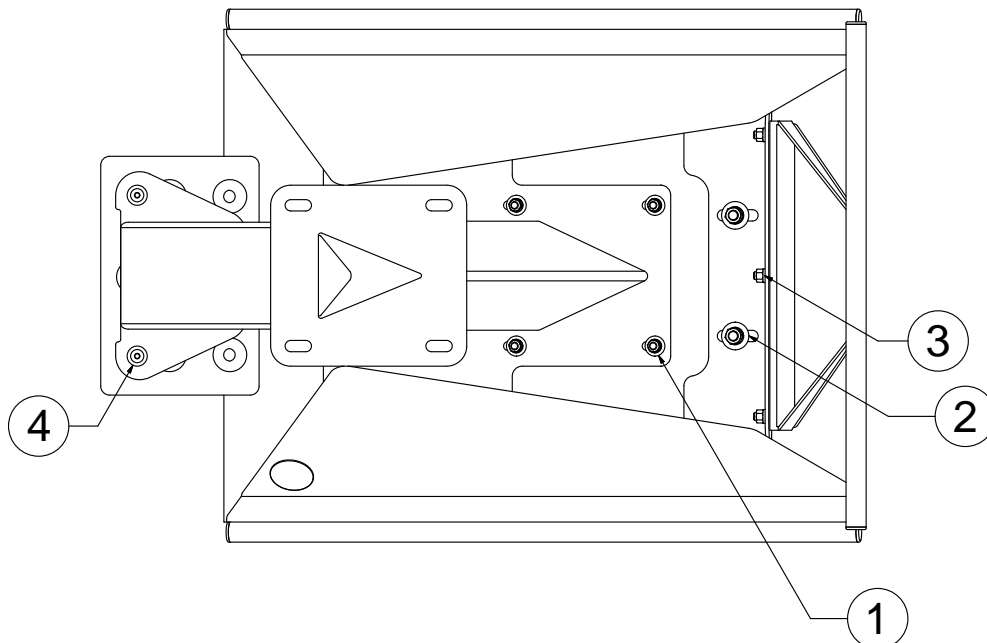
CAUTION:

This product is heavy when fully assembled, ask for assistance when placing or moving the Starting Platform.
Wear appropriate clothing and Safety Glasses when assembling this product.

Assembly Instructions:

1. Unpack cartons and verify contents with the parts list on page 2.
2. On a protective surface, lay the "SS" Stainless Steel top face down.
3. Place the pedestal onto the starting block top aligning the holes in the pedestal with the six (6) threaded studs of the S.S. top. Using six (6) each, 3/8" S.S. lock washers, 3/8" S.S. flat washers and 3/8" S.S. hex nuts, hand tighten the pedestal to the top. (#1)
4. Place the backstroke bar bracket over the 1/2" threaded studs on block top. Using four (4) each, 1/2" flat washer, 1/2" lock washer, and 1/2" hex nut, hand tighten in place. Secure the backstroke bar to the bracket using three (3) each 3/8" S.S. lock washers, 3/8" S.S. flat washers and 3/8" S.S. hex nuts. (Adjust the backstroke bar if needed so it is parallel and plumb to the front leading edge of the top). (#2 & #3)
5. Attach the plastic step to the step bracket. Align the step bracket holes with the threaded inserts in the bottom of the step. Fasten the step with four (4) each, 3/8"-16 x 1" S.S. BSHCS, 3/8" S.S. lock washers, and 3/8" S.S. flat washers. (#4)
6. Tighten all fasteners; #1, #2, #3 & #4. (Using too much force when tightening the fasteners may cause the studs and/or bolts to fail. To prevent this use a torque wrench tightening the nuts and bolts to between 15 and 20 ft/lbs. of torque).

Your Starting Platform is now assembled and ready for installation!



SWIMMING POOL EQUIPMENT WARRANTY

Kiefer Manufactured Products

- A. Adolph Kiefer & Associates (AKA) warrants that the equipment, which is furnished on this project, shall perform without defect(s), due to materials or manufacturing for a period of one year from the date of purchase.
- B. Within the warranty period and at no cost to the owner, AKA shall repair or replace such equipment, which fails to perform due to defect(s) in materials, manufacturing or workmanship. Written notification and documentation of the particular defect(s) must be transmitted to AKA within ten days of when the equipment defect(s) or failure is noticed.
- C. Excluded from this warranty are any defect(s) due to damage caused by: improper handling, storage or installation; accidents; vandalism; improper usage; inadequate maintenance of the equipment; environmental conditions or natural disaster.
- D. In no event shall AKA be held liable for consequential, incidental, indirect or special damages which occur from the use or repair of the equipment. This includes damages to persons or property, and loss of use of the equipment or the pool facility.
- E. Neither the project contractor(s) nor the owner (or operator) of the pool facility shall have the right to offset charges or withhold monies for warranty claims against any payment(s) due to AKA.
- F. Warranty repairs shall take place either at the pool location, at AKA's place of business, or at another suitable location. The purchaser of the equipment shall be responsible for (and bear the cost of) the removal, re-installation and transportation of the equipment; if required. AKA shall be responsible for either the repair or replacement (at its discretion), and transportation of the equipment to the pool facility.
- G. This warranty is in lieu of all other warranties or guarantees, expressed or implied. Specifically excluded, but not by way of limitation, are the implied warranties of merchantability and fitness for a particular purpose. Also, this warranty does not include or apply to any swimming pool accessories and equipment manufactured or supplied by others.