



Kiefer 6" Slip Anchor

- Used for TrackStart, Gemini, Pro-Formance Series Starting Platforms and with Kiefer Stanchion posts, (1.90" O.D.).
- May be furnished with locking nut & compression ring, cap and key.

Kiefer 6" Slip Anchor

Prod. #	Description
700103	6" Bronze Slip Anchor
700103LN	Lock Nut & Compression Ring
700103C	Anchor Cap
700103K	Anchor Spanner Key

Kiefer 4" Wedge Anchor

- Used with pool ladders, grab rails and handrails.
- May be furnished with cap.

Kiefer 4" Wedge Anchor

Prod. #	Description
700101	4" Wedge Anchor
700102	Wedge Anchor Cap



Note: Specifications and pricing subject to change without notice. All dimensions are in inches unless indicated otherwise.

Kiefer "Anchors"

6" SLIP ANCHOR

Product Name: Kiefer 6" "Slip Anchor"

AKA Product #: 700103

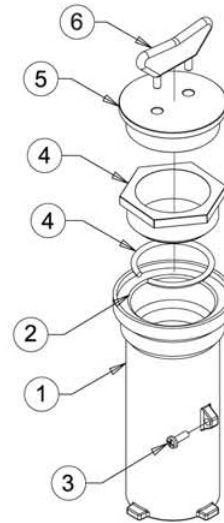
Application:


This slip anchor is designed to provide positive locking of pipe frame units, starting platforms and stanchions. May be furnished with locking nut & compression ring (700103LN) (4), cap (700103C) (5) and key (700103K) (6) if so specified, (sold separately).

Specifications:

- ① Anchor shall be cast bronze.
- ② Anchor shall have a tapered opening to accept 1.90" O.D. pipe.
- ③ Anchor shall be provided with one 300 series stainless steel 8-32 x 1/2" RHMS, slotted (for bonding).

Weight: 2.96 lbs.



SPECIFICATION NUMBER:	13.152.01.05			Product Specs. - Written & Drawing	 Adolph Kiefer & Assoc. Commercial Products 1700 KIEFER DRIVE ZION, ILLINOIS 60099-4093 800-451-3262 Fax: 847-872-0284 www.kieferpool.com
PRODUCT DESCRIPTION:	KIEFER 6" SLIP ANCHOR				
PRODUCT NUMBER:	700103			THE INFORMATION CONTAINED IN THIS SPECIFICATION IS THE SOLE PROPERTY OF ADOLPH KIEFER & ASSOC. AND CANNOT BE REPRODUCED IN WHOLE OR PART, NOR DELIVERED TO OTHERS WITHOUT THE EXPRESS WRITTEN CONSENT OF ADOLPH KIEFER & ASSOC.	
WRITTEN BY:	DAG	DATE: 07.30.07	REVISION: A		
APPROVED BY:	JK	DATE: 08.21.07	PAGE No: 1 of 1		

4" WEDGE ANCHOR

Product Name: Kiefer 4" "Bronze Wedge Anchor"

AKA Product #: 700101

Application:

This style of anchor is designed for placement in concrete decks at the time they are poured. It provides positive locking of pipe frame units, ladders, grab rails, and step rails. Anchor cover plate sold separately. Also available in 1.5" O.D.

Specifications:

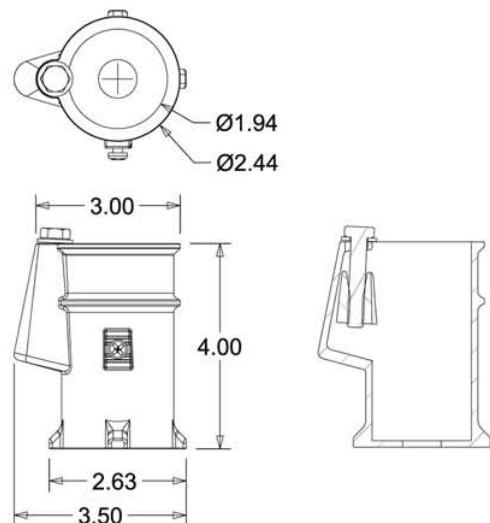
Anchor shall be cast bronze.


Anchor shall have an opening diameter of 1 15/16" to accept 1.90" O.D. pipe.

Anchor shall be supplied with brass wedge, one 300 series stainless steel 5/16-18 x 2" HHCS and one 300 series stainless steel flat washer.

Anchor shall be provided with one 300 series stainless steel 8-32 x 1/2" RHMS, slotted (for bonding).

Weight: 1.75 lbs.



SPECIFICATION NUMBER:	13.152.01.05			Product Specs. - Written & Drawing	 Adolph Kiefer & Assoc. Commercial Products 1700 KIEFER DRIVE ZION, ILLINOIS 60099-4093 800-451-3262 Fax: 847-872-0284 www.kieferpool.com
PRODUCT DESCRIPTION:	4" BRONZE WEDGE ANCHOR				
PRODUCT NUMBER:	700101			THE INFORMATION CONTAINED IN THIS SPECIFICATION IS THE SOLE PROPERTY OF ADOLPH KIEFER & ASSOC. AND CANNOT BE REPRODUCED IN WHOLE OR PART, NOR DELIVERED TO OTHERS WITHOUT THE EXPRESS WRITTEN CONSENT OF ADOLPH KIEFER & ASSOC.	
WRITTEN BY:	DAG	DATE: 07.30.07	REVISION: A		
APPROVED BY:	JK	DATE: 08.21.07	PAGE No: 1 of 1		