

STEP# 1: PLEASE FILL OUT ALL INFORMATION AS IT PERTAINS TO YOUR FACILITY.

1.) Are there any obstructions within 4 feet of the pool wall that would interfere with placement of deck equipment?

(PLEASE CIRCLE ONE) **YES** **NO**

2.) From the diagrams to the right, which gutter profile is most like the one at your facility?

(Fig. I, II, III, or IV): _____

3.) What are the gutter measurements? (in inches)

A= _____ " **DECK to WATER LEVEL**

B= _____ " **SETBACK**

C= _____ " **DROP to DECK**

D= _____ " **GUTTER WIDTH**

4.) Does the deck slope? Using a 2 foot straight edge, measure the horizontal distance (X) vs. the vertical distance (Y). (in inches)

X= _____ Which direction does the deck slope?

Y= _____ Away from or Towards the pool?

5.) What is the deck composition?

POURED CONCRETE **TILE**

SLAB / TILE BED THICKNESS: _____ "

6.) What's under the slab?

ROOM **TUNNEL**

BACKFILL **OTHER:** _____

Fig. I

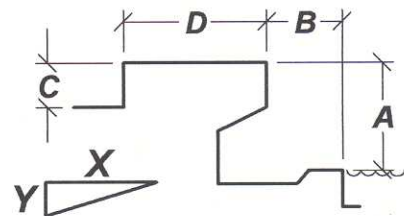


Fig. II

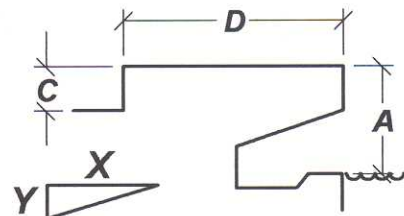


Fig. III

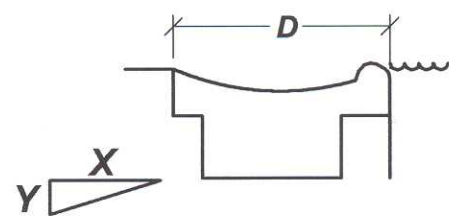
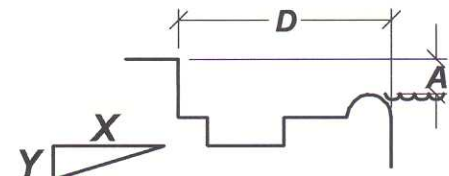


Fig. IV



STEP# 2: REFER TO FIG. V AND FILL IN THE FOLLOWING DIMENSIONS. (From water level to the bottom of the pool; in inches).

DEPTH @ (A) 3'-3 1/2" = _____ "

@ (B) 16'-5" = _____ "

@ (C) 19'-8" = _____ "

PLEASE DOUBLE CHECK YOUR SELECTIONS. SIGN AND DATE THIS FORM AND RETURN IT TO ADOLPH KIEFER & ASSOCIATES VIA FAX.

STEP# 3: 847-872-0284

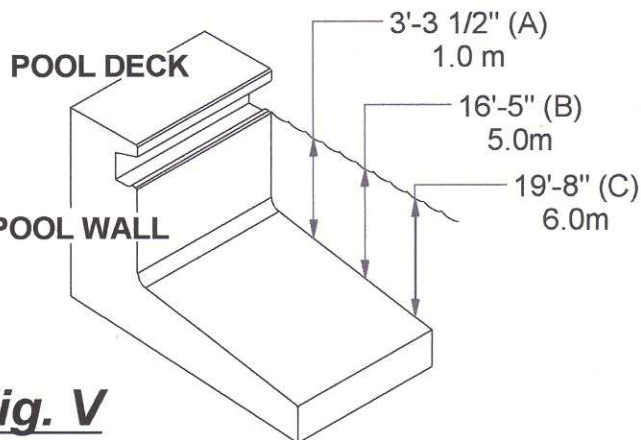


Fig. V

SUBMITTED BY: _____

PHONE: _____ FAX: _____

DATE: _____



Adolph Kiefer and Associates
Gutter Configuration Drawing

1700 KIEFER DRIVE ZION ILLINOIS 60099-4093
800-451-3262 www.kieferpool.com Fax: 847-872-0284